



TXT GP 300 2025 EU

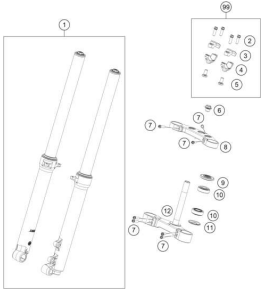
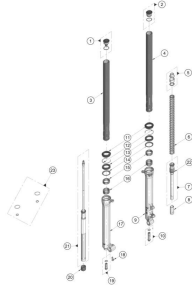
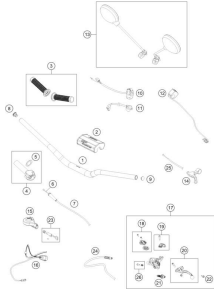
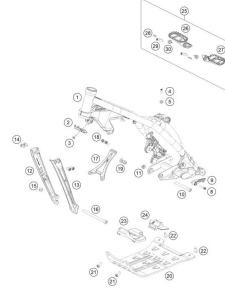

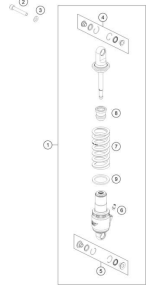
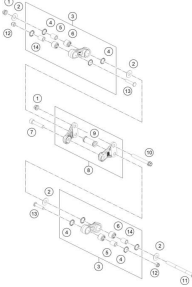
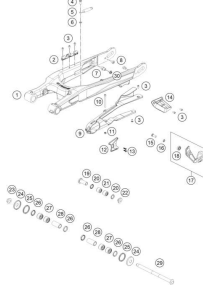
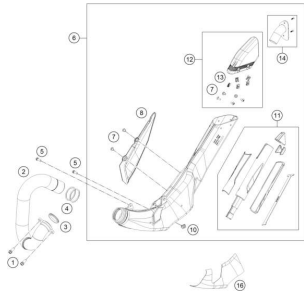
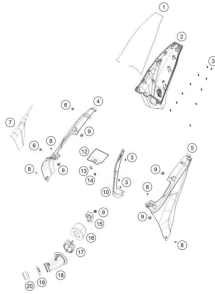
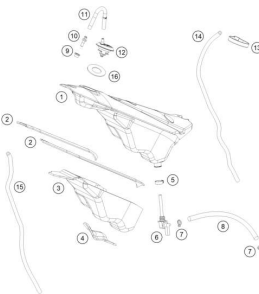
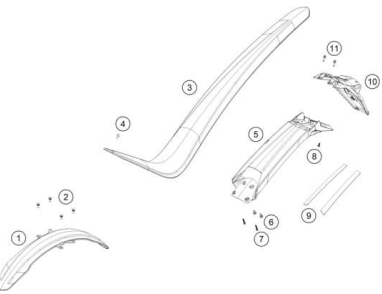
CHASSIS / ART.-NR.F0403YN / **2025**
SPAREPARTSCATALOG


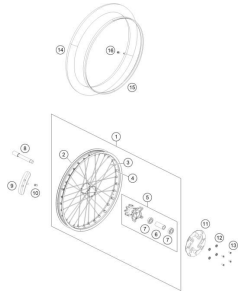
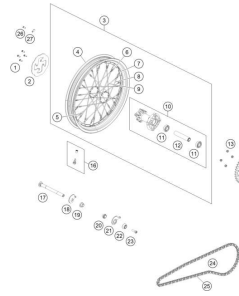
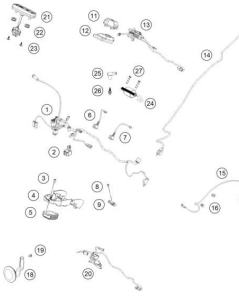
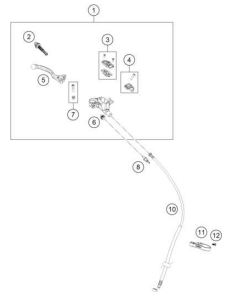
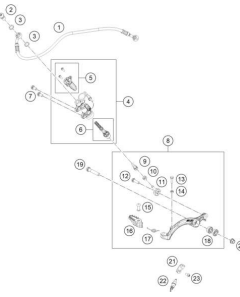
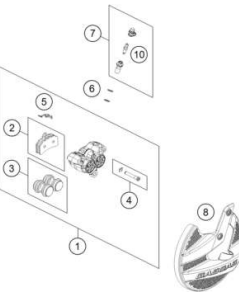
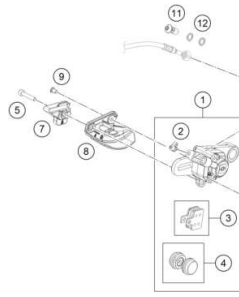
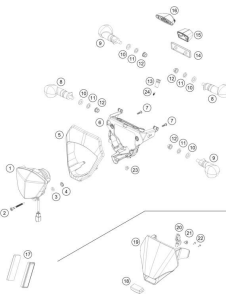
GASGAS

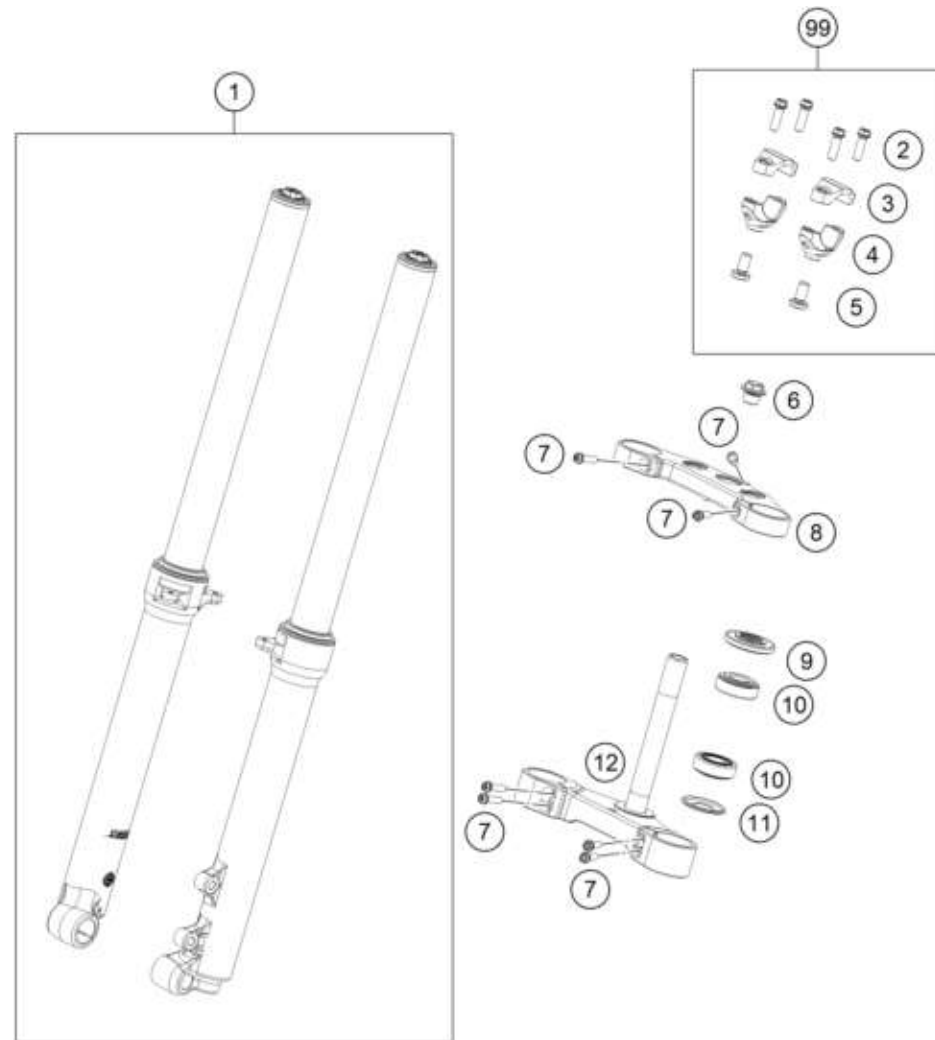


All information contained is without obligation. KTM Sportmotorcycle GmbH particularly reserves the right to modify any equipment, technical specifications, prices, colors, shapes, materials, services, service work, constructions, equipment and the like so as to adapt them to local conditions or to cancel any of the above items, all without previous announcement and without giving reasons. KTM may stop manufacturing certain models without previous notice. KTM shall not be held liable for any deviations of availability and/or ability to deliver, illustrations, descriptions, printing and/or other errors. The illustrated models partly contain extra equipment, which is not applied to standard models.

© by KTM Sportmotorcycle GmbH, Mattighofen AUSTRIA; All rights reserved; Reprint, also in extracts, with written allowance of KTM Sportmotorcycle GmbH, Mattighofen only.

<p>FRONT FORK, TRIPLE CLAMP</p>  <p style="text-align: right;">3</p>	<p>FRONT FORK DISASSEMBLED</p>  <p style="text-align: right;">4</p>	<p>HANDLEBAR, CONTROLS</p>  <p style="text-align: right;">5</p>	<p>FRAME</p>  <p style="text-align: right;">6</p>
<p>SIDE / CENTER STAND</p>  <p style="text-align: right;">7</p>	<p>SHOCK ABSORBER</p>  <p style="text-align: right;">8</p>	<p>PRO LEVER LINKING</p>  <p style="text-align: right;">9</p>	<p>SWING ARM</p>  <p style="text-align: right;">10</p>
<p>EXHAUST SYSTEM</p>  <p style="text-align: right;">11</p>	<p>AIR FILTER</p>  <p style="text-align: right;">12</p>	<p>TANK, SEAT</p>  <p style="text-align: right;">13</p>	<p>MASK, FENDERS</p>  <p style="text-align: right;">14</p>

<p>DECAL</p>  <p>15</p>	<p>FRONT WHEEL</p>  <p>16</p>	<p>REAR WHEEL</p>  <p>17</p>	<p>WIRING HARNESS</p>  <p>18</p>
<p>FRONT BRAKE CONTROL</p>  <p>19</p>	<p>REAR BRAKE CONTROL</p>  <p>20</p>	<p>FRONT BRAKE CALIPER</p>  <p>21</p>	<p>REAR BRAKE CALIPER</p>  <p>22</p>
<p>LIGHTING SYSTEM</p>  <p>23</p>			



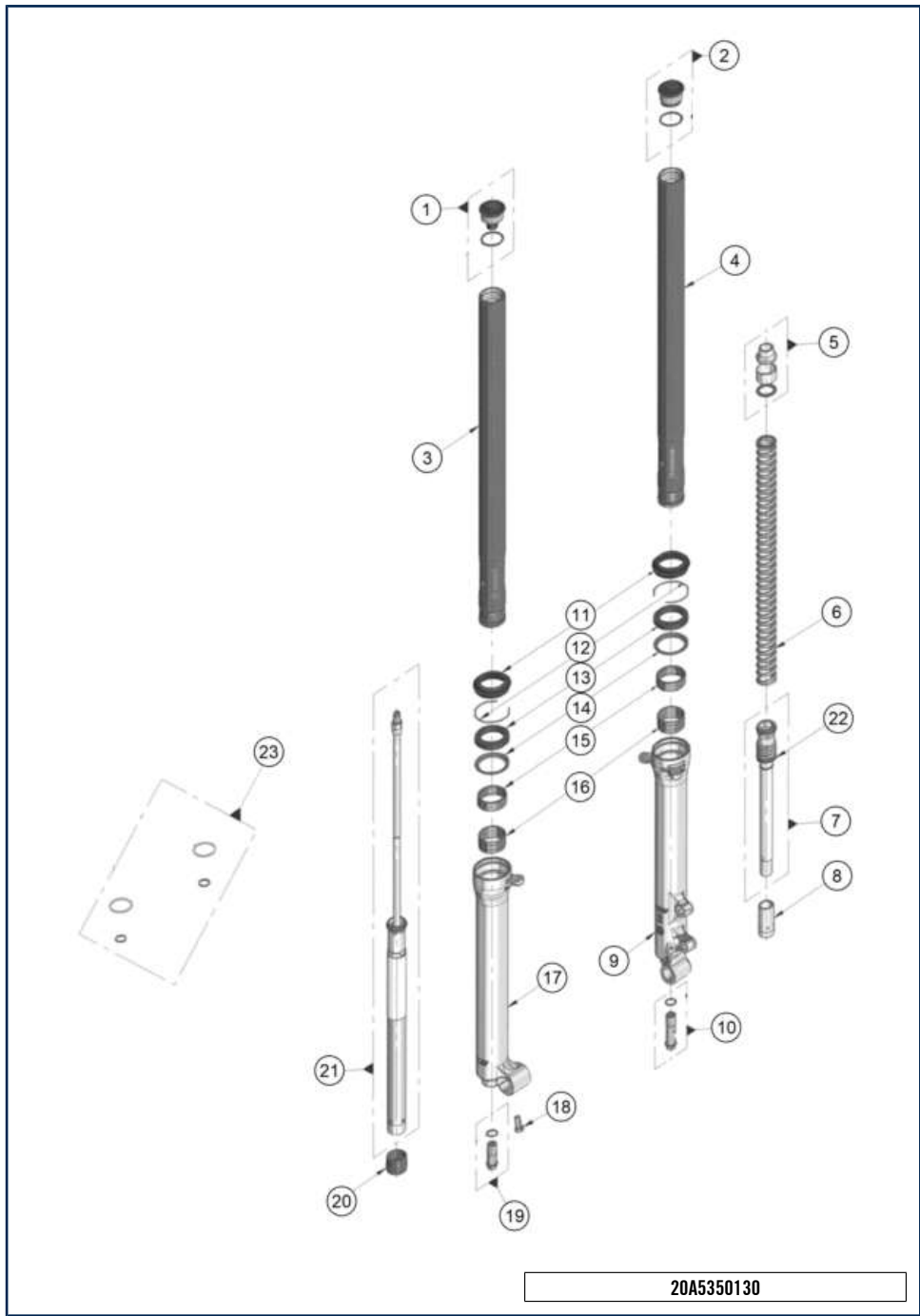
POS	PARTNUMBER		PIECE
1	A53501100044	Fork cmpl. GasGas TXT GP	1
2	0025080256	HH collar screw M8x25	4
3	7720103800030	HANDLEBAR CLAMP 28MM	2
4	A53501039025C1	Handlebar mount D28mm-H25mm	2
5	0035100209S	Hex.screw M10x20 ISA45 MK	2
6	0900001601200	Collar screw M16x1,5 SW17 Al	1
7	0025060206	HH collar screw M6x20 TX30	7
8	A53501034135C1	Upper triple clamp X=35mm	1
9	A53501084000	Steering head seal	1
10	49001081000	TAPERED ROLLER BEARING 32004X	2
11	0780000304400	Steering head seal	1
12	A53501032135C1	Compl. lower triple clamp X=35mm	1
99	A53501039010C1	handlebar mount kit D28mm-H25mm black	1

23A5350110

61911

* NEW PART

X ON DEMAND



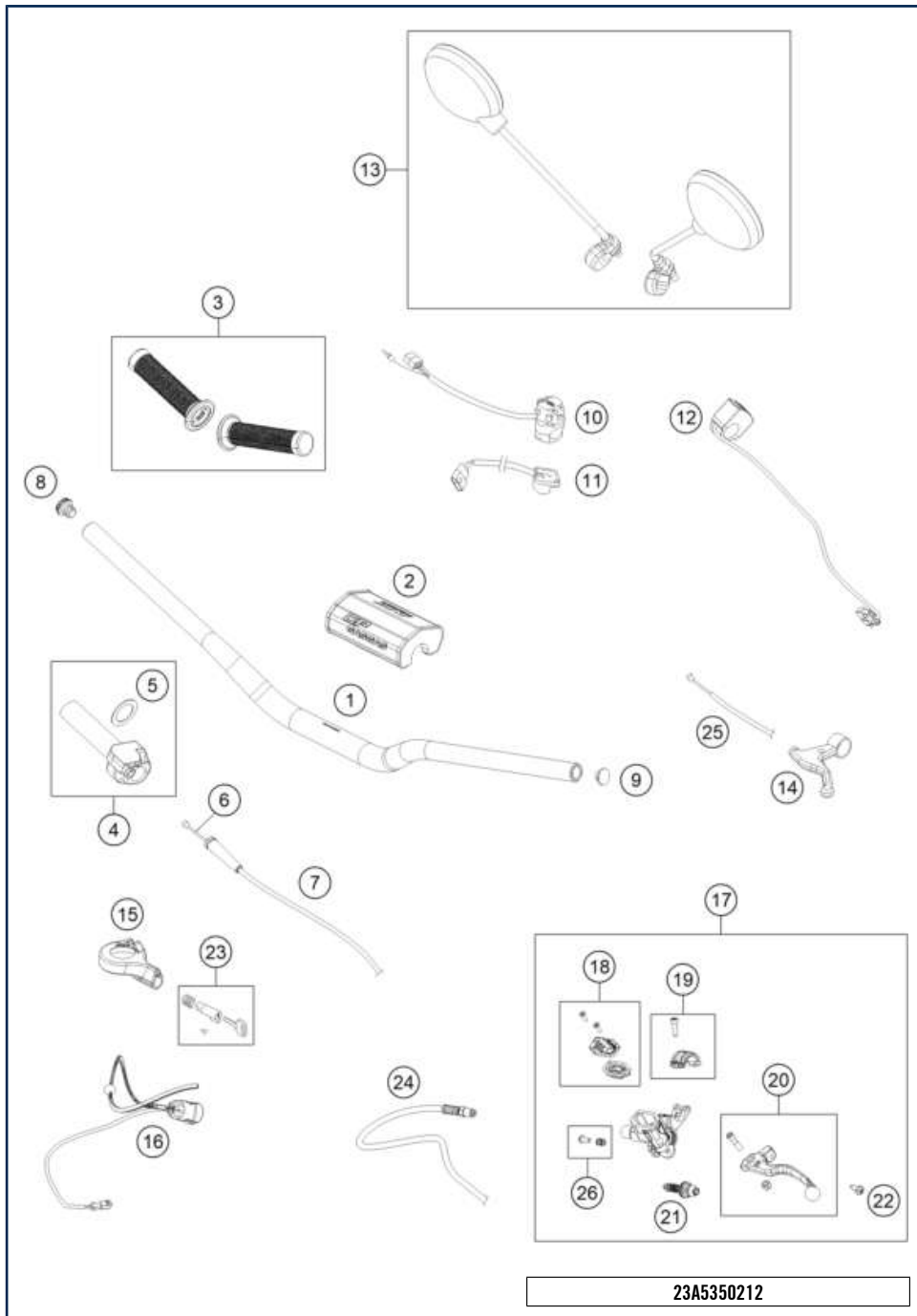
POS	PARTNUMBER		PIECE
1	BT201203012	Top Cap Extension (F110014)	1
2	BT201253013	Top Cap preload adjuster	1
3	A53501103020	fork inner tube right	1
4	A53501103010	fork inner tube left	1
5	BT201653012	Preload set	1
6	BT201703012	Fork spring front	1
7	A53501010000	compression level	1
8	BT201603012	Bushing front fork	1
9	A53501106000C1	fork left black	1
10	BT201763013	Adjusting screw	1
11	BT20130GG-CJD-1	Dust stripper front fork	1
12	BT201353013	Circlip	1
13	BT201403012	Gasket front fork	1
14	BT201453012	Oil seal ring front fork	1
15	BT201503012	Bushing fork	1
16	BT201513012	Bushing fork	2
17	A53501107000C1	fork right black	1
18	BT201853012	Screw 8x18	1
19	BT20185GG-DBD-1	Adjusting screw	1
20	BT20155GG-CKA-1	Bushing cartridge right	1
21	BT20220GG-DBD-1	Catridge	1
22	BT20195GG-CKA-1	Support ring spring	1
23	BT201863012	Rep.kit fork	1

20A5350130

61931

* NEW PART

X ON DEMAND



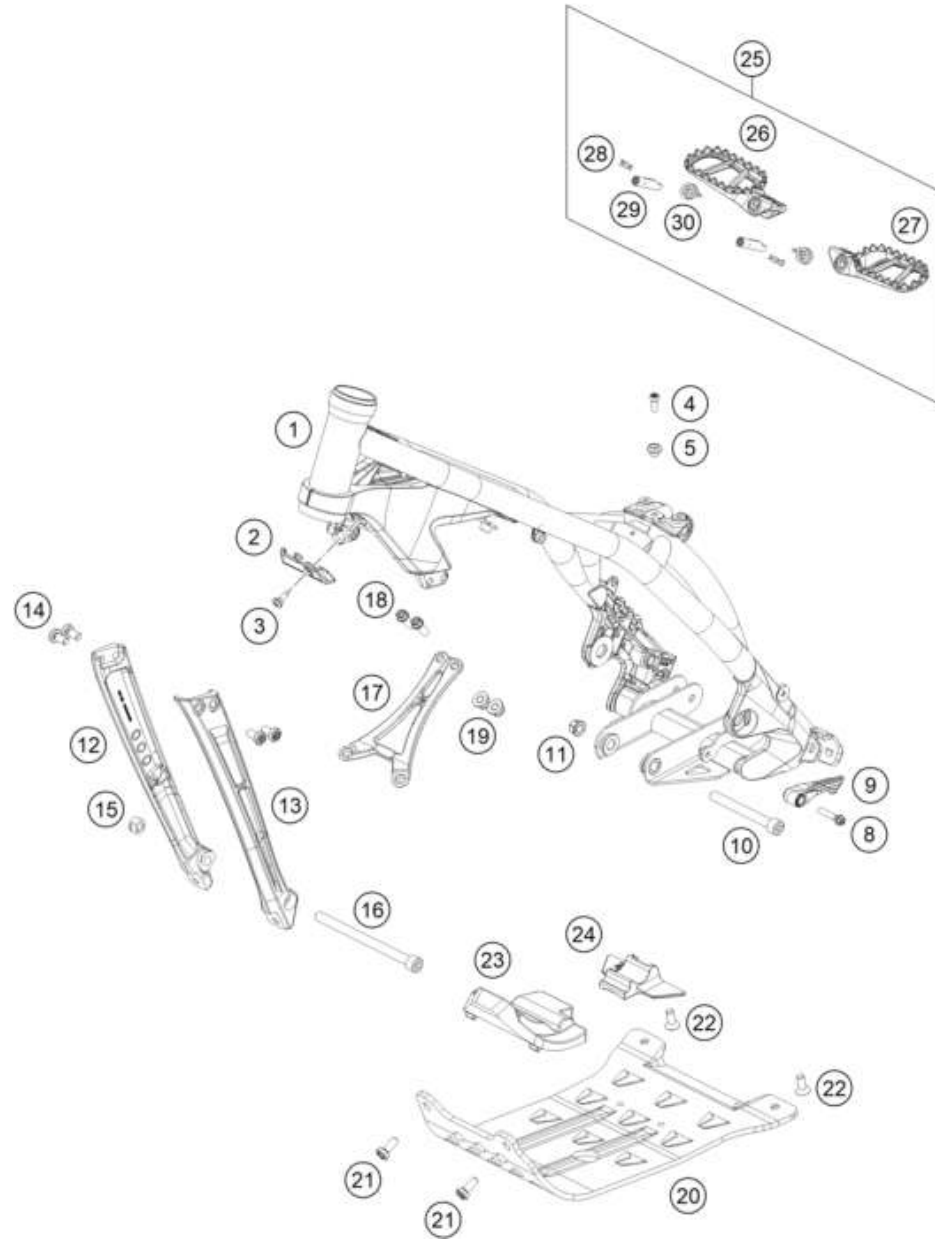
POS	PARTNUMBER		PIECE
1	A53502001000C1A	Handlebar D=28.5	1
2	A53502102044FBA	Handlebar pad compl.	1
3	BT26100RA3010	Grip set	1
4	E100001	Throttle grip	1
5	BT27922078	Washer	1
6	BT78500GG-CWT-1	Throttle cable regulation	1
7	BRT500124008	Throttle cable	1
8	A53502003044	Handlebar end compl.	1
9	BT255953012	Plug handlebar	1
10	50311070100	H.LIGHT SWITCH CEV EGS AUS.'98	1
11	50311029000	FLASHER SWITCH CEV '98	1
12	50311074000	ENGINE STOP SWITCH CEV	1
13	BT29000GG-CKR-1	Mirror set (left+right)	1
14	BT25600GG-CKR-1	Choke	1
15	A53501083000	Steering lock	1
16	A53511089000	Safety pull switch	1
17	A53532160033	Clutch fitting cpl.	1
18	A53502133000	Cover hydraulic clutch cpl. red	1
19	A53513105000	bracket kit red	1
20	A53502031000	Lever Kit	1
21	A53502032000	Piston Kit	1
22	A53513006044	Lever Bolt with Nut M6	1
23	78003035100	Steering lock	1
24	A53502090000	clutch hose	1
25	BT25601GG-CKR-1	Cable starter	1
26	A53532060010	Adjustment screw with spring	1

23A5350212

68519

* NEW PART

X ON DEMAND



POS	PARTNUMBER		PIECE
1	A53503001000FB	Frame A535	1
2	A53501026000	Steering stop	1
3	69008021060	special screw M5x17	1
4	014580060141	Cap head screw ISO 14580 M6x14	1
5	75001094010	BUSHING MUD FLAP 07	1
8	0025060306	HH collar screw M6x30 TX30	1
9	A53503053044	Chain slider below, compl.	1
10	0047621009000S	Screw ISO4762-M10x90	1
11	54630044000	COLLAR NUT M10 WS=13	1
12	A53503005002C1	Engine brace right	1
13	A53503005001C1	Engine hanger left	1
14	0035080156S	AH-COLLAR SCREW M8X15 TORX45	4
15	BT280210069	Nut	1
16	0047621014000	Screw ISO4762-M10x140	1
17	BT280110050	Engine bracket	1
18	0025080206	HH collar screw M8x20	2
19	0926080003	STOP NUT DIN6926 M8 SS	2
20	A53503090000	Skid plate	1
21	0035080206S	SHCS M8x20 TX45	2
22	0019080206S	FLAT HEAD SCREW M. ISA45 M8X20	2
23	A53503090010	Skid plate rubber	1
24	A53503090020	Skid plate rubber, rear	1
25	A53503040010	Footrest kit	1
26	A53503041000	Footpeg, front, right	1
27	A53503040000	Footpeg, front, left	1
28	0730000201800	Spring clip	2
29	A53503042000	Footpeg stud	2
30	A53503044000	Footpeg spring	2

23A5350310

61915

* NEW PART

X ON DEMAND



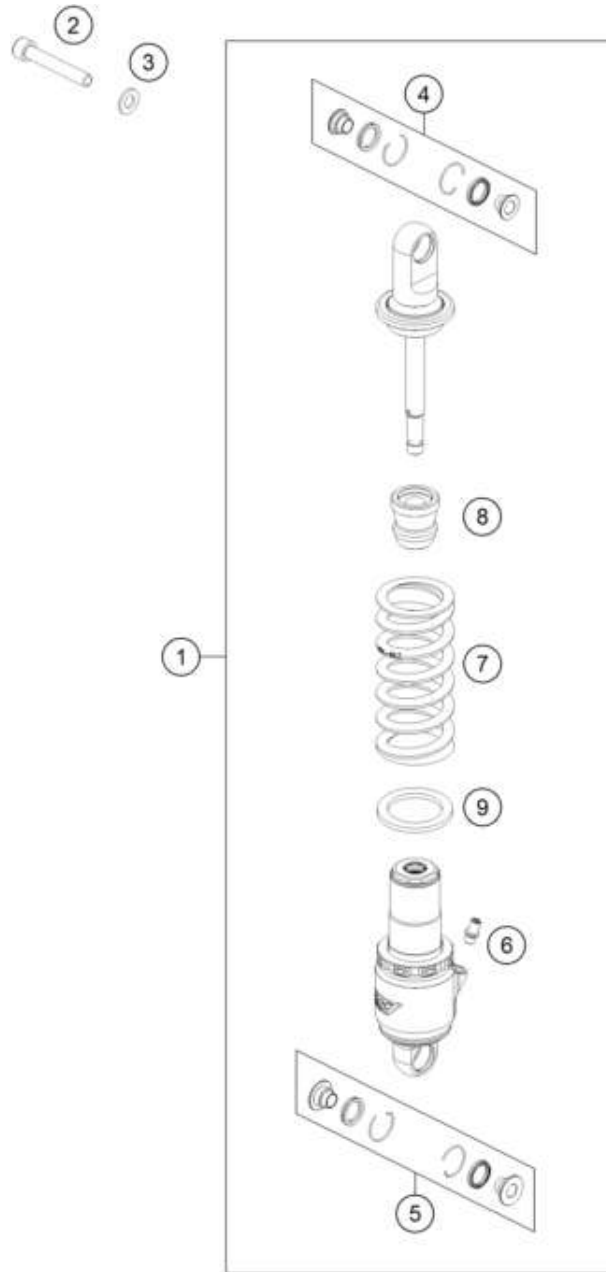
POS	PARTNUMBER		PIECE
1	A53503023000	Kick stand	1
2	BT280310039H	Spring sidestand homologated	1
2	BT14250GG-CAT-1	Spring side stand	1
3	A53503023002	Spring retaining bracket	1
4	0035080206S	SHCS M8x20 TX45	1
5	0800000900500	Bushing 8.5 x 14.5 x 4.5 mm	1
6	A53503023001	Side stand bushing	1
7	0035080156S	AH-COLLAR SCREW M8X15 TORX45	2
8	A53503026000	Side stand bracket	1

23A5350360

60241

* NEW PART

X ON DEMAND



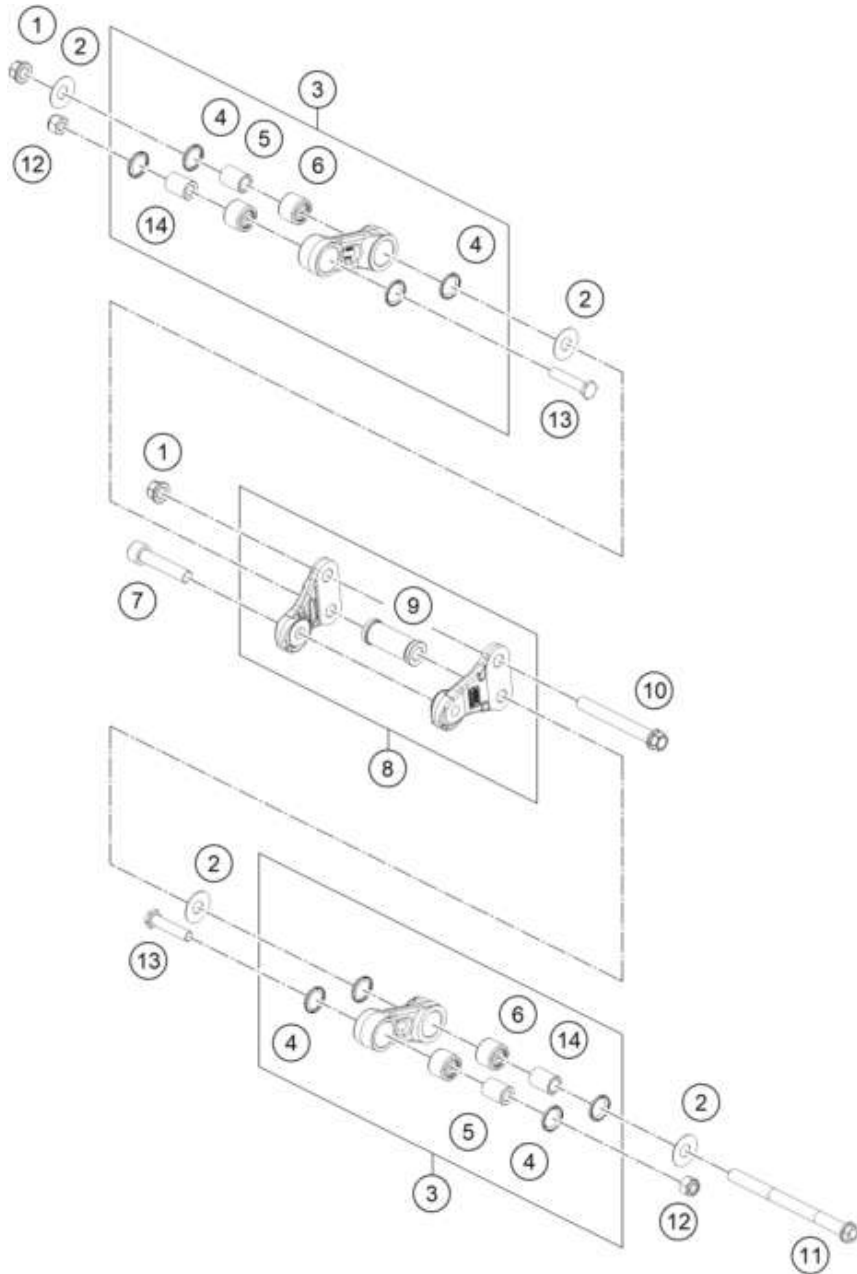
POS	PARTNUMBER		PIECE
1	A53504110144	Shock absorber compl. GasGas TXT GP 2024	1
2	BT35000013011	Screw M10x63	1
3	0125100003	washer DIN 125 A 10.5	1
4	A53504015010	Repair kit bearing above	1
5	A53504015015	Repair kit bearing below	1
6	A53504015030	BLEEDER VALVE M12X1,5	1
7	A53504015068	SPRING 68,7 N/MM	x
7	A53504015073	SPRING 73,6 N/MM	1
7	A53504015078	SPRING 78,7 N/MM	x
8	A53504015020	Rubber grommet	1
9	A53504015003	Spacer 3mm für Feder 78,7N/MM	x
9	A53504015004	spacer 4,5mm for spring 73,6N/MM	1
9	A53504015006	spacer 6mm for spring 68,7N/MM	x

23A5350410

68520

* NEW PART

X ON DEMAND



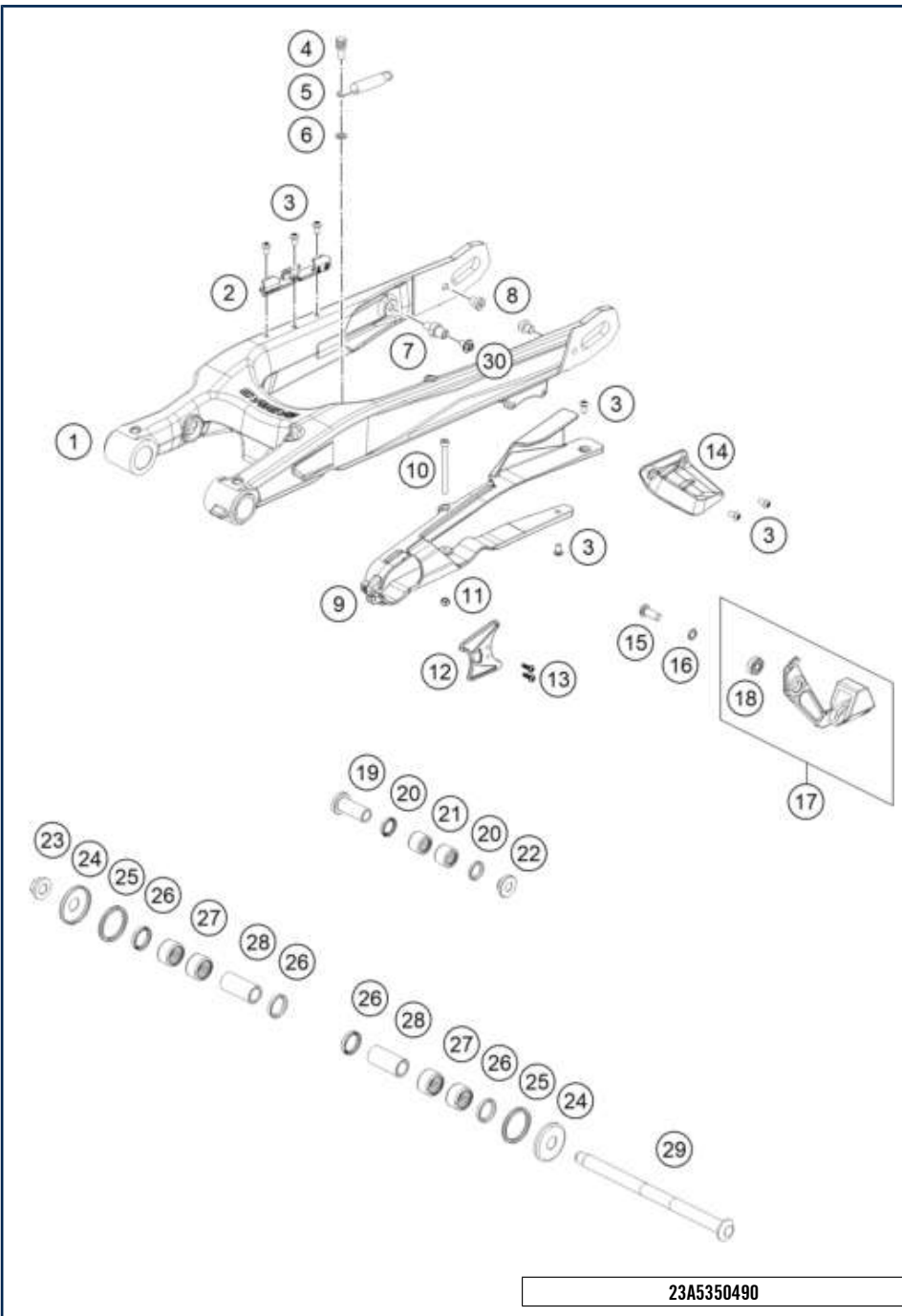
POS	PARTNUMBER		PIECE
1	54630044000	COLLAR NUT M10 WS=13	2
2	T4001026	Washer 10,5,x26x0,5	4
3	A53504083044	Pull rod cmpl.	2
4	C230001	Gasket 15x21x2	8
5	BT27712005	Bushing Linking 10mm	2
6	BT27714009	Bearing	4
7	0900001004800	Set screw w.hexagon socket M10x48	1
8	A53504080044	Triangle cantilever cpl.	1
9	BT32100R3009	Bushing	1
10	09000010080U0S	Special collar screw M10x80	1
11	BT35000003012	Special screw	1
12	T2108002	Nut 8mm DIN 982	2
13	T0118038	Screw 8x38	2
14	BT27712014	Bushing Linking 8mm	2

23A5350460

60250

* NEW PART

X ON DEMAND



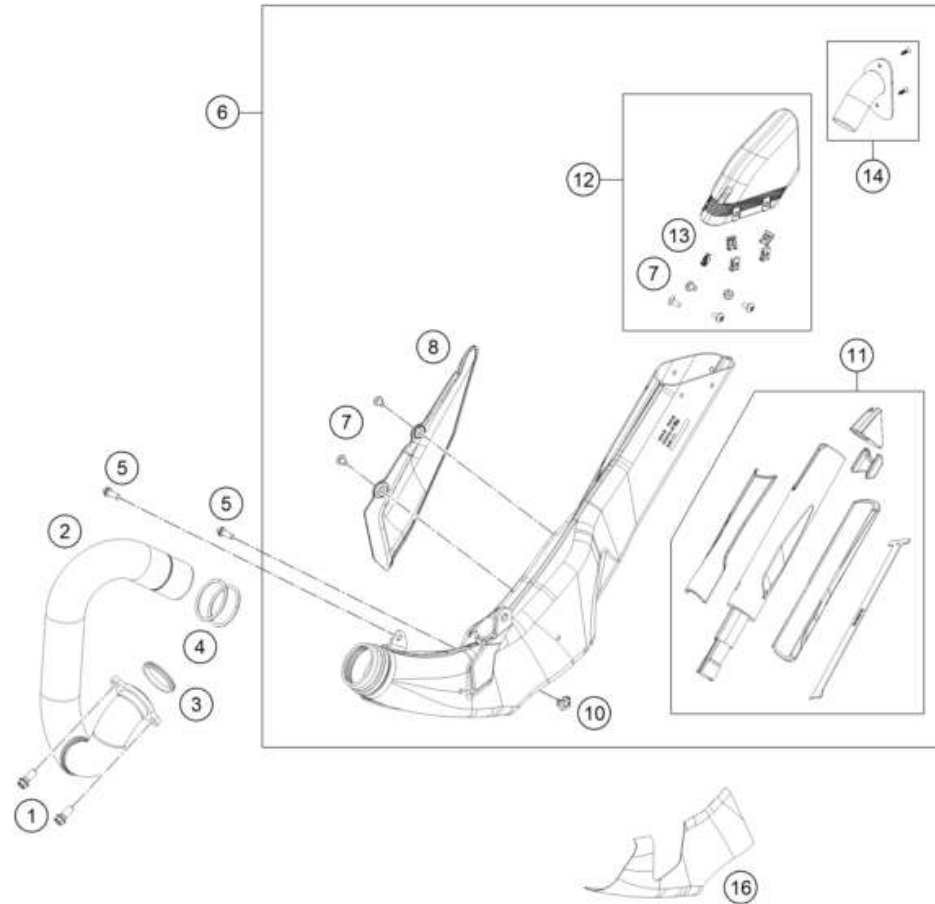
23A5350490

POS	PARTNUMBER		PIECE
1	A53504030000	Swingarm	1
2	BT66110GG-CSV-2	Brake hose guide	1
3	073800501003	Oval head screw ISR M5-8.8 ISR25	7
4	09000006014U0	Spring bolt screw	1
5	BT44010GG-CPR-1	Spring tensor chain	1
6	T4006012	Washer 6x12x1,5	1
7	BT671153013	Bolt	1
8	T0310808	Special screw 8x8	2
9	BT43015GG-CPR-1	Chain guard	1
10	T0305060	ALLEN M5X60	1
11	T2105000	Nut selflocking M6	1
12	BT48600GG-CPR-1	Sprocket protector front	1
13	0081040121	EJOT Delta PT K40x12	2
14	BT57350GG-CPR-1	Chain guard	1
15	69013076000	brake caliper screw M8x20	1
16	T4018012	Washer 8x12x2	1
17	BT42000CT-CPR-1	Chain guide	1
18	BT41000GG-CPR-1	Ball bearing	1
19	0800001004200	Bushing	1
20	C230000	Gasket	2
21	BT27714009	Bearing	2
22	0800001000900	Bushing	1
23	49030021100	Collar nut, M12x1, right	1
24	BT44505GG-CPR-1	Endcap swingarm	2
25	BT44530GG-CPR-1	O-ring swingarm	2
26	C220001	Gasket swingarm pivot	4
27	BT44535GG-CPR-1	Bearing 20x26x16	4
28	BT40010GG-CPR-1	Bushing	2
29	A53504037000	Swingarm pivot M12x1	1
30	0024060106	HH COLLAR SCREW M6X10 TX30	1

60251

* NEW PART

X ON DEMAND



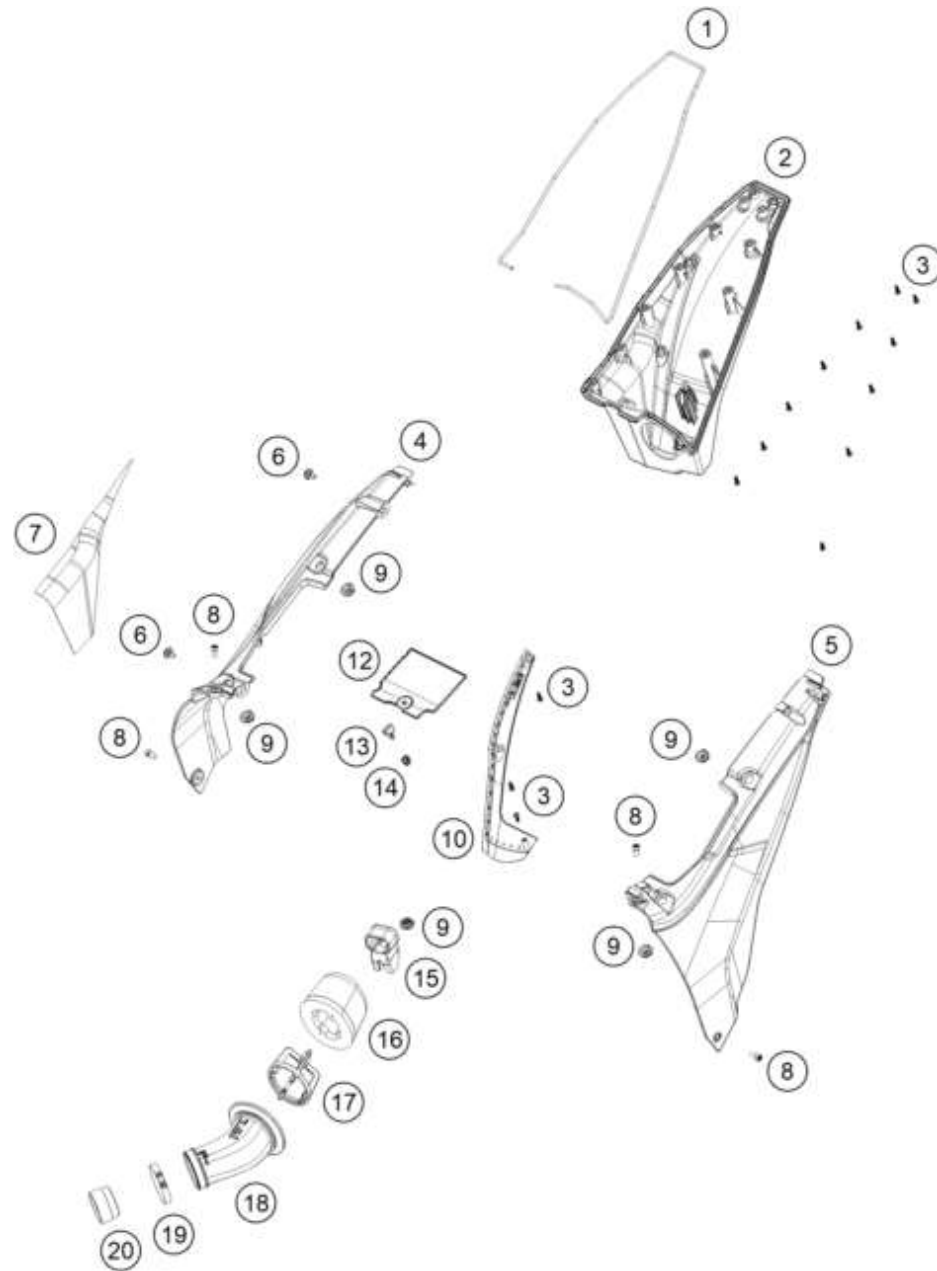
POS	PARTNUMBER		PIECE
1	0025080186S	HH collar screw M8x18 ISA40 SS	2
2	A53505007200	Header GP	1
3	MT280244012	Gasket exhaust	1
4	C290000	O-ring	2
5	0025060166	HH collar screw M6x16 TX30	2
6	A53505085133	Tripl muffler cmpl.	1
7	78105081010	SCREW TORX M5X10	7
8	A53505090000	Heat protection	1
10	T2006010	Cage nut M6	1
11	A53505085044	Insulation kit	1
12	A53505085081	Endcap Cazoleta final SILENCIADOR EAGLE	1
13	69008021080	Clip nut M5	5
14	A53505085090	End pipe Curva salida SILENCIADOR EAGLE	1
16	A53505011000	Heat protection front	1

23A5350511

74242

* NEW PART

X ON DEMAND



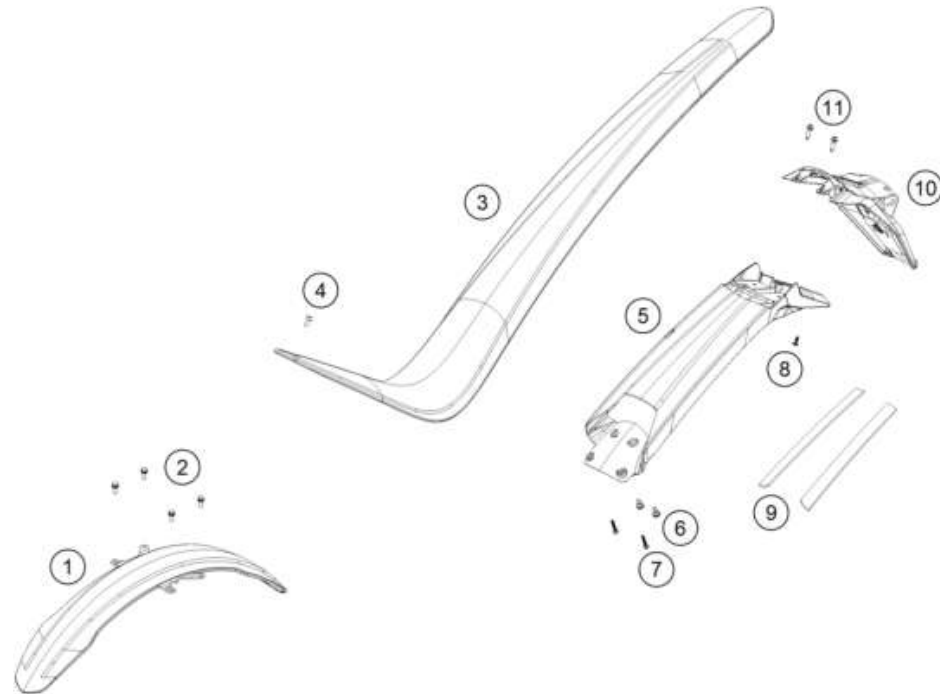
POS	PARTNUMBER		PIECE
1	A53506001020	Air filter box seal	1
2	A53506001000	Air filter box	1
3	0081040121	EJOT Delta PT K40x12	14
4	A53506004100C1	Filter box cover right	1
5	A53506003100C1	Filter box cover left	1
6	83008000012	special screw M6x12x3	2
7	A53506095000	Heat protection air filter box	1
8	014580060126	SHCS ISO 14580 M6x12	4
9	47106003160	quick release rubber grommet	5
10	A53506010000	Splash protection	1
12	A53506010001	Splash protection	1
13	A53506010002	Quick lock	1
14	21008065010	Quicklock sheetmetalbracket	1
15	A53506001010	Air filter holding bracket	1
16	A53506015000	Air filter	1
17	A53506016000	Air filter support	1
18	A53506026000	Air boot	1
19	59030061000	CLAMP D=56MM B=9MM M4X25	1
20	A53506026010	Air boot adapter	1

23A5350610

68077

* NEW PART

X ON DEMAND



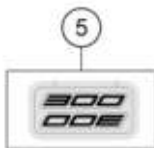
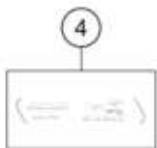
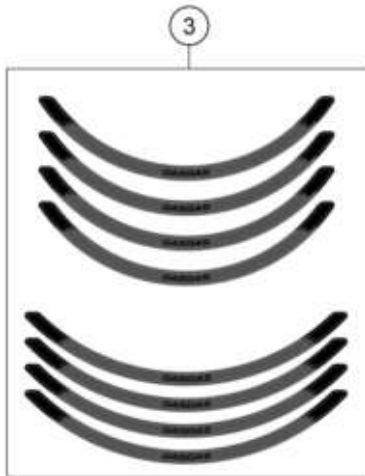
POS	PARTNUMBER		PIECE
1	A53508010000FBB	Front fender with inmould decal	1
2	59009062013	SPECIAL SCREW M6X13 WS=8 10.9	4
3	A53508013033FBC	Rear fender with decal	1
4	014580060126	SHCS ISO 14580 M6x12	1
5	A53508015000	License plate holder support	1
6	69008021160	special screw M5x12	2
7	0081040253	Ejot PT screw 4x25 WN 5451	2
8	0081045121	SCREW FOR PLASTIC K45X12 T20	1
9	A53508015010	Vibration damper license plate holder s.	2
10	A54008016000	License plate holder extension	1
11	0017060206	SCREW F. PLASTIC K60X20AL SW6	2

23A5350810

74228

* NEW PART

X ON DEMAND



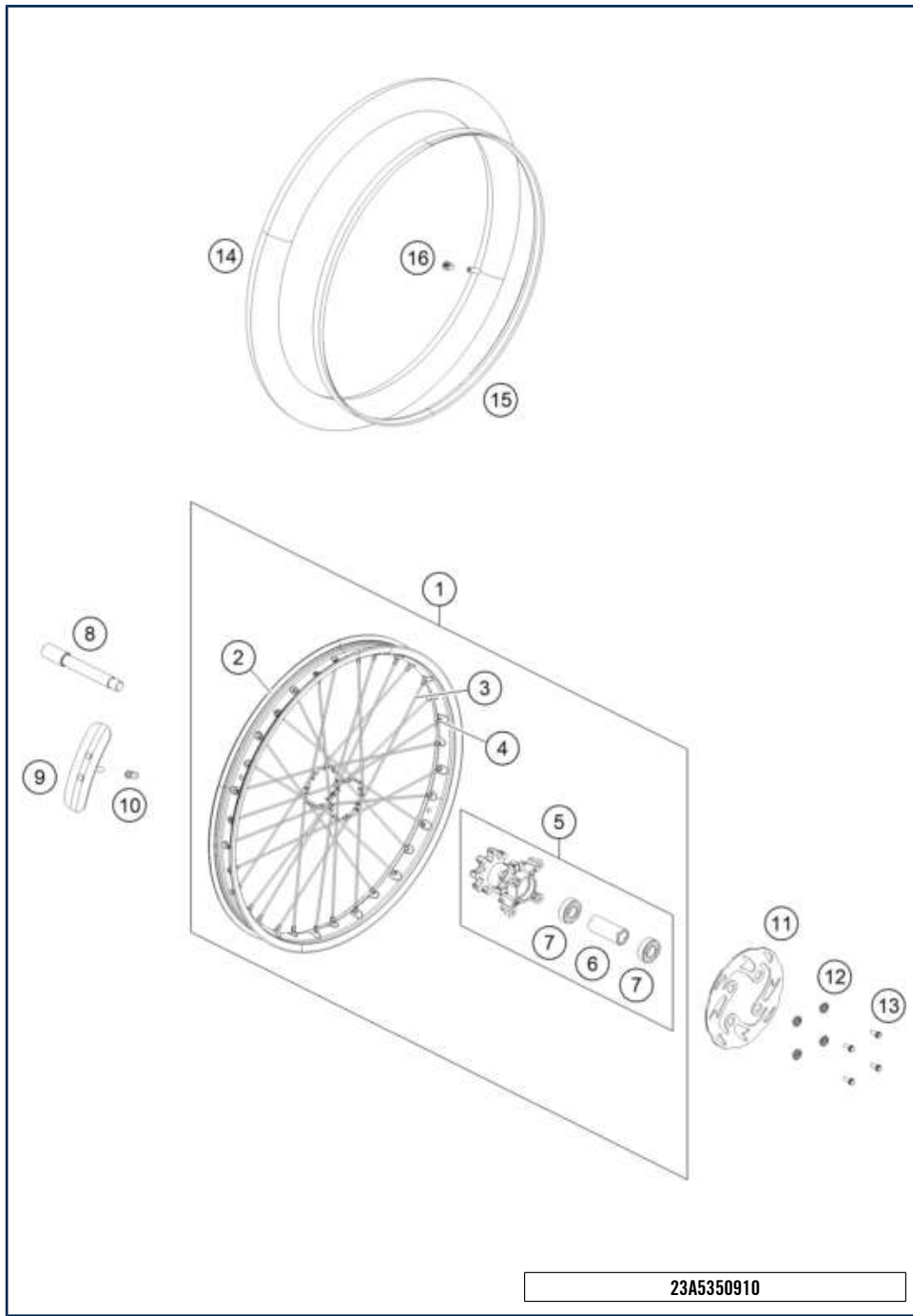
POS	PARTNUMBER		PIECE
1	A53508299200	sticker kit TXT GP 250/300 `25	1
2	A53508199200	Grafikit TXT GP 250/300 `25	1
3	A53509299000	rim sticker kit TXT GP 25	1
4	A53503080200	Special Edition label 2025	1
5	A53508098104	Displacement label set 300	1

25A5350835

74247

* NEW PART

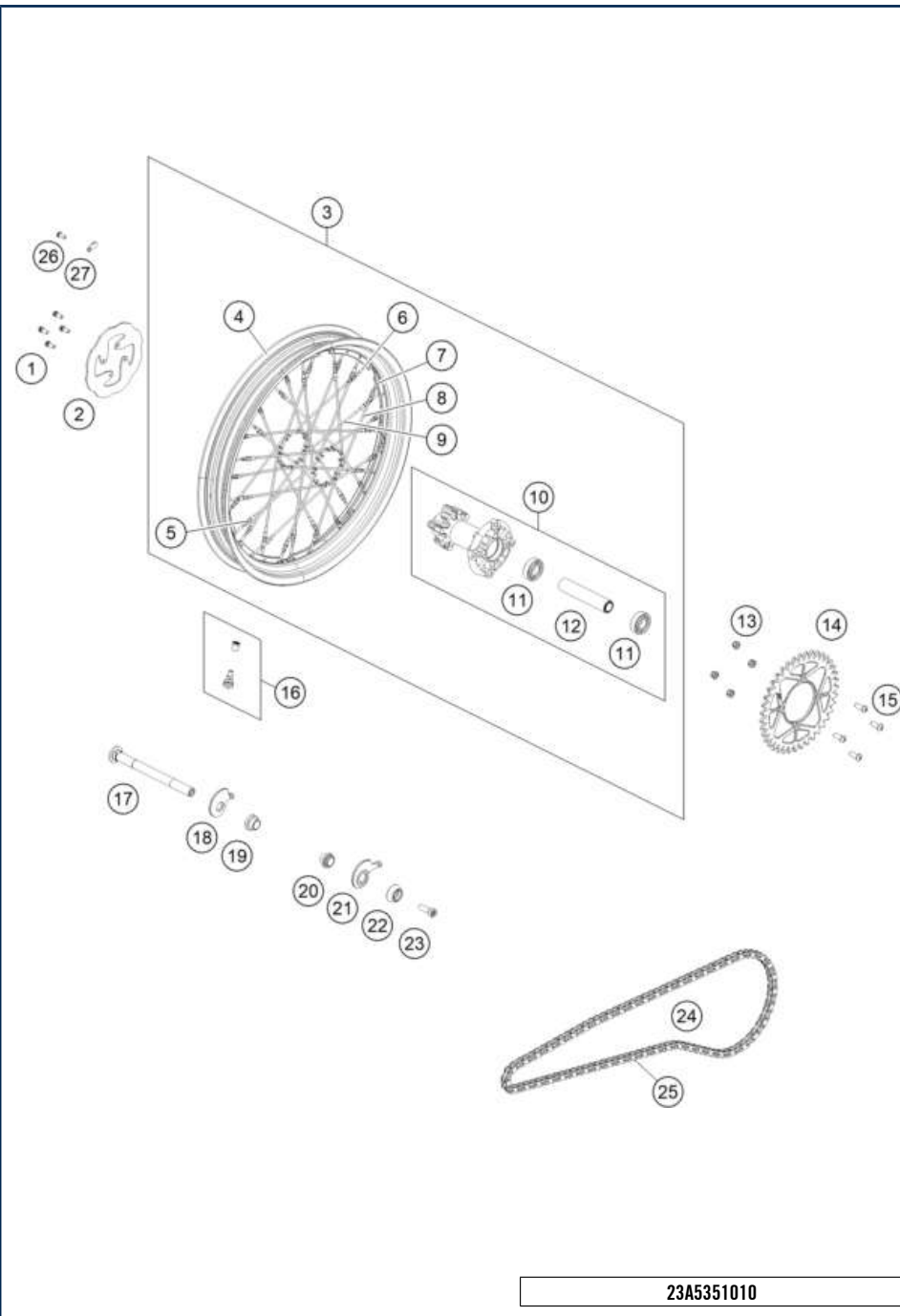
X ON DEMAND



POS	PARTNUMBER		PIECE
1	A53509201044	"Front wheel 1.6x21"" compl."	1
2	A53509070100	Front rim	1
3	A53509071255	Spoke front black	32
4	46210072000	SPOKE NIPPLE ALU	32
5	A53509210044	Front wheel hub, compl.	1
6	A53509011000	Bearing distance tube	1
7	0625060047	Grooved ball bearing 6004	2
8	BT50000043012	Wheel spindle front	1
9	78109090200	Tyre locker 1,60"	1
10	77110090050	Nut for wheel holder	1
11	A53509060100	Brake disc 183.8x3 mm	1
12	A53509060010	Brake disc fastening	4
13	59009062016	SPECIAL SCREW M6X16 WS=8 10.9	4
14	50309075000	Hose 21"	1
15	A53509073000	Tube protector	1
16	A53509076050	Valve cap	1

74229

* NEW PART X ON DEMAND



POS	PARTNUMBER		PIECE
1	59009062016	SPECIAL SCREW M6X16 WS=8 10.9	4
2	A53510160100	Brake disc 150x3	1
3	A53510201044	"Rear wheel 2.15x18"" cpl."	1
4	A53510170000	"Rear rim 2.15x18""	1
5	A53510072000	Spoke nipple back	32
6	A53510071034	Spoke back 35x3,5	16
7	A53510071036	Spoke back black	16
8	A53510071175	Spoke back black 175x3,5	16
9	A53510071165	Spoke back black 165x3,5	9
10	A53510210044	Rear wheel hub cpl.	1
11	0625060047	Grooved ball bearing 6004	2
12	A53510011000	Bearing spacer tube	1
13	0910000800800	Lock nut M8	4
14	A53510051039	sprocket 39T	1
15	0145830802200	Flat-head screw M8x22 ISA	4
16	A53510076000	Valve	1
17	BT580003013	Axle rear wheel	1
18	A53510084100FA	Chain tension adjuster right	1
19	BT58100R3009	Spacer rear wheel 7,5mm	1
20	BT581103013	Spacer	1
21	A53510083100FA	Chain tension adjuster left	1
22	0800001001302	Rear wheel axle bushing	1
23	0032100356S	AH-COLLAR SCREW M10X35 ISA45	1
24	A53510067100	Chain 520DMS G&B 100 Rolls	1
25	A53510066000	Chain Link for A53510067100	1
26	T0506016	Screw 6x16	1
27	BT280234012	Magnet rev counter	1

23A5351010

74230

* NEW PART

X ON DEMAND



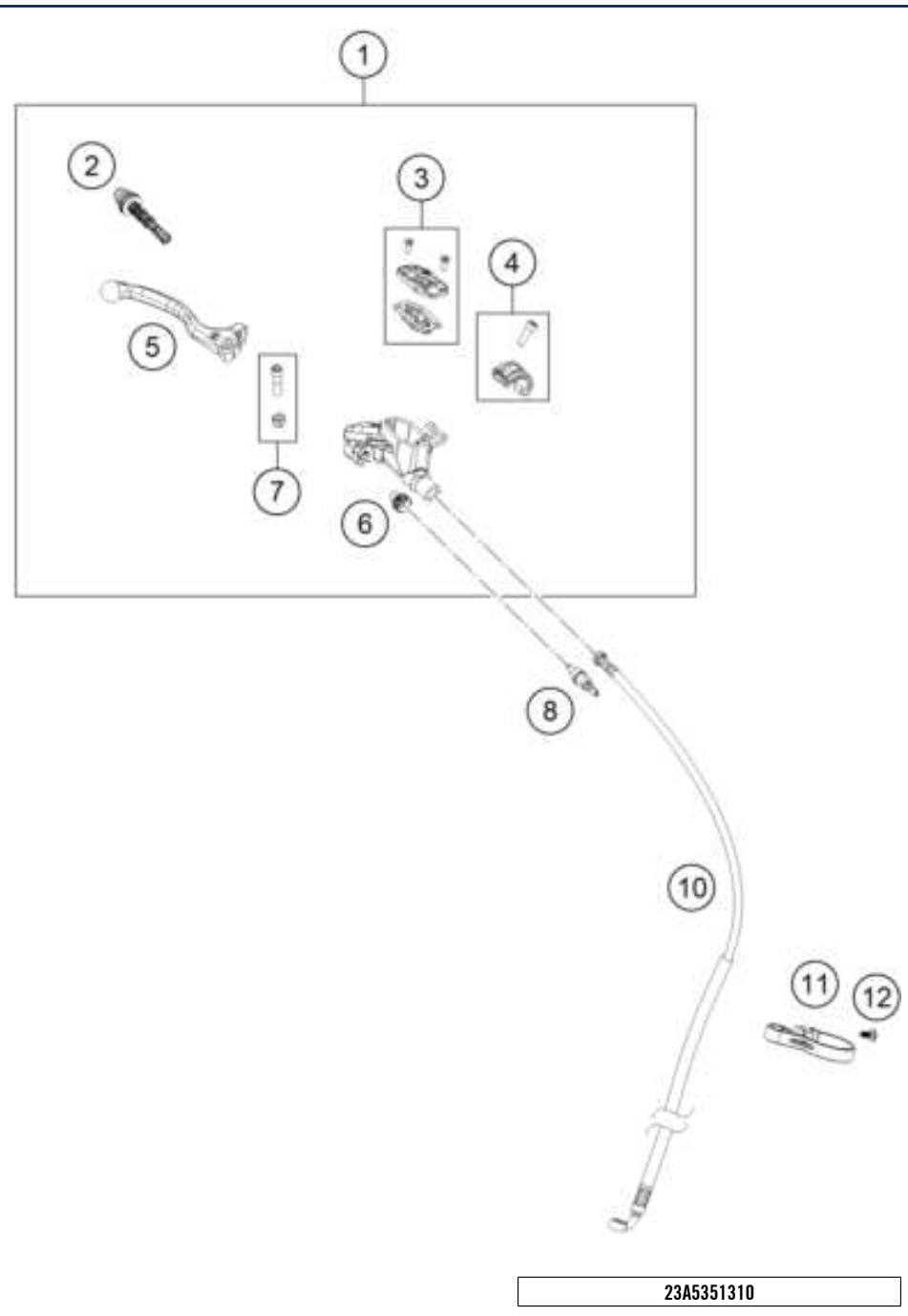
POS	PARTNUMBER		PIECE
1	A53511075100	Main wiring harness	1
2	76511030000	FLASHER UNIT	1
3	014580060126	SHCS ISO 14580 M6x12	1
4	A53511037000C1A	Voltage regulator retaining bracket	1
5	EE51200GG-CAB-1	Voltage regulator	1
6	A53511069000	Switch on/off	1
7	A53511169000	Switch on/off	1
8	073800501003	Oval head screw ISR M5-8.8 ISR25	1
9	A53511094000	Cable holder, cylinder head	1
11	A53539030000	Rubber support CDI	1
12	A53539031244	CDI Control Unit 250-300	1
13	A53511092000	CDI wiring harness	1
14	A53511081100	Rear turn signal wiring harness	1
15	54814068100	CABLE FOR DIGITAL SPEEDOM. 06	1
16	60111094100	BAR SPACER 4/7 BLACK	3
17	BT280634053	Clamp sensor	1
18	79711060033	Horn, compl.	1
19	0025060106	HH collar screw M6x10 TX30	1
20	A53511175000	Main wiring harness	1
21	81314069300	Dashboard	1
22	61614013050	Rubber bushing	2
23	0081645121	EJOT DELTA PT SCREW 45X12-Z	2
24	ET50000GG-CKR-1	Ignition coil	1
25	47039190000	Spark plug connector	1
26	M04012000	Spark plug	1
27	0025060306	HH collar screw M6x30 TX30	2
28	000700000CW001	Light switch dummy plug	1
29	000700000DA01	protection elec. connector	1

24A5351110

68529

* NEW PART

X ON DEMAND



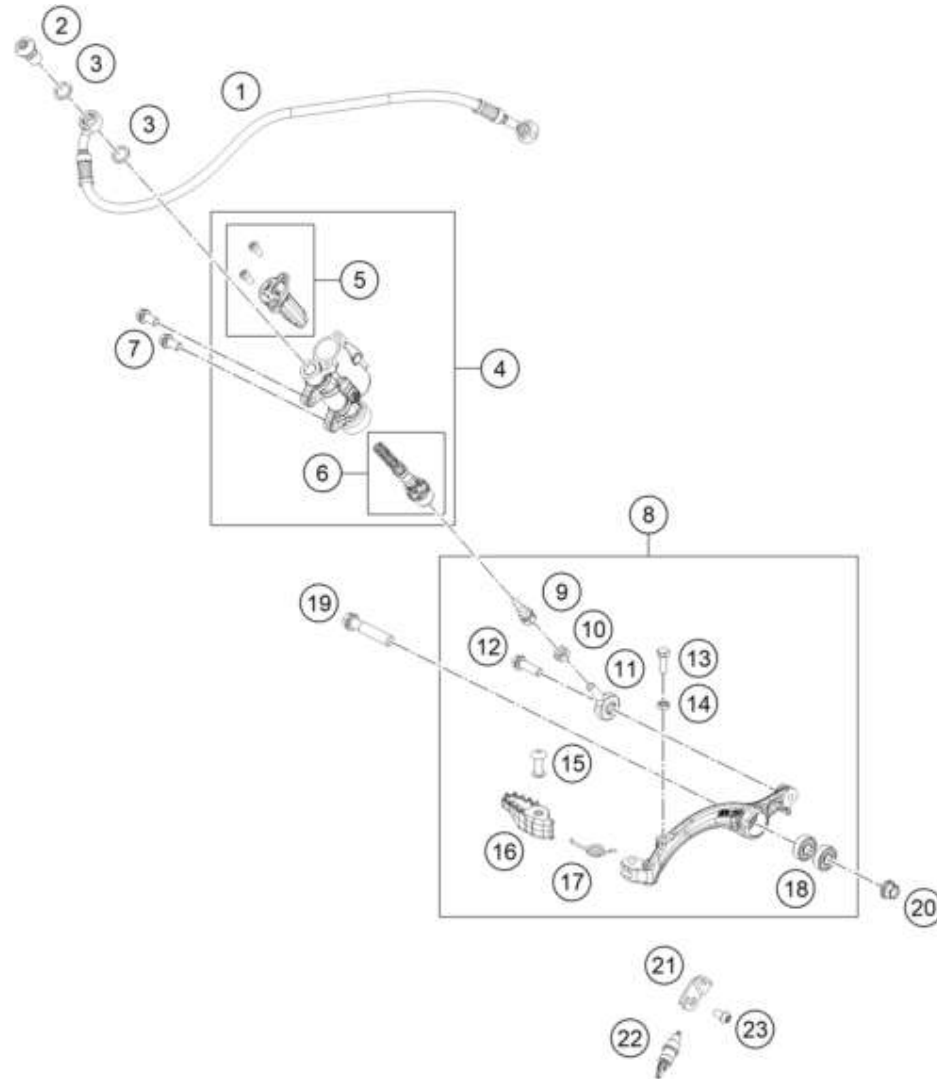
POS	PARTNUMBER		PIECE
1	A53513101044	hand brake cylinder cpl. gp	1
2	A53513008000	Piston Kit	1
3	A53513130000	Cover hand brake cylinder red	1
4	A53513105000	bracket kit red	1
5	A53513002044	lever Kit	1
6	BT61304GG-CSV-1	adjusting screw	1
7	A53513006044	Lever Bolt with Nut M6	1
8	BT61150GG-DBV-1	brake light switch	1
10	A53513010000	Front brake hose	1
11	BT21600RA3010	Hose guide	1
12	0081040121	EJOT Delta PT K40x12	1

23A5351310

61921

* NEW PART

X ON DEMAND



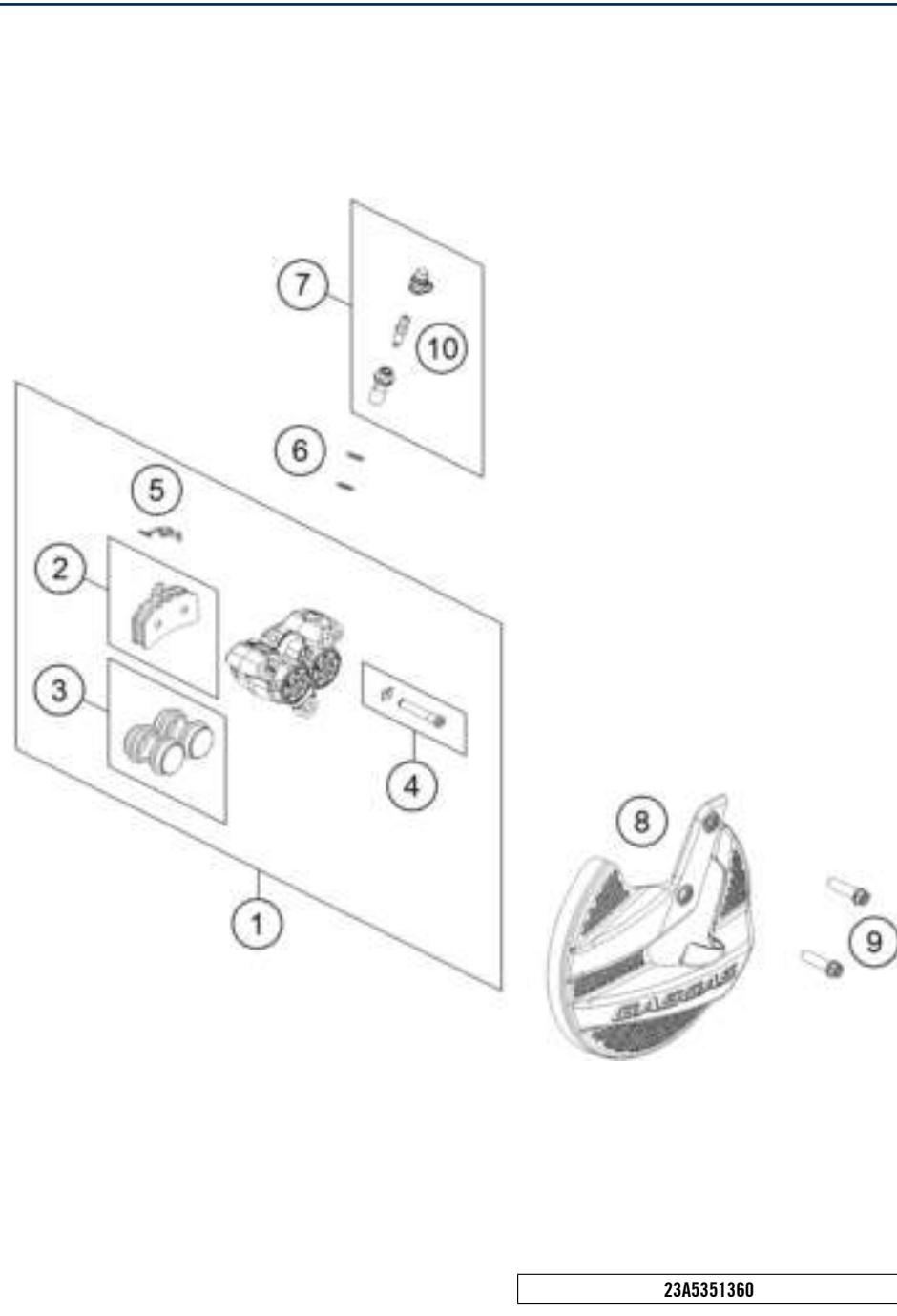
POS	PARTNUMBER		PIECE
1	A53513070000	rear brake line	1
2	62113020100	Banjo bolt M10x1x19.5	1
3	0603100141	sealing ring DIN 7603 10x14x1	2
4	A53513060044	Foot master cylinder	1
5	A53513062000	Cap Kit	1
6	A53513061000	Piston Kit	1
7	0025060126S	Hex collar screw M6x12 ISA30 self-lockin	2
8	A53513050033	Brake pedal preass. Trial	1
9	54813056000	Push rod L=28MM 03	1
10	0934060003	Hex. nut DIN 934 M6	1
11	54813055100	Joint head CMP6	1
12	0025060206S	HH collar screw M6x20 TX30	1
13	T0105015	SCREW/BOLT EXAGONAL M5x15	1
14	T2005000	Square Nut 5mm	1
15	0791060203	SEMI-TUBULAR DIN6791-6x20-ST	1
16	A53513051000	Brake pedal step plate	1
17	A53513051010	Spring, brake pedal step plate	1
18	BT41000GG-CPR-1	Ball bearing	2
19	0025080406S	Collar screw M8x40 ISA40 SS	1
20	46030045000	flanged nut M8 WS10	1
21	A53511050010	Sensor bracket	1
22	BT61150GG-DBV-1	brake light switch	1
23	073800501002	PAN HEAD SCREW M5X10 TX25	1

23A5351330

60261

* NEW PART

X ON DEMAND



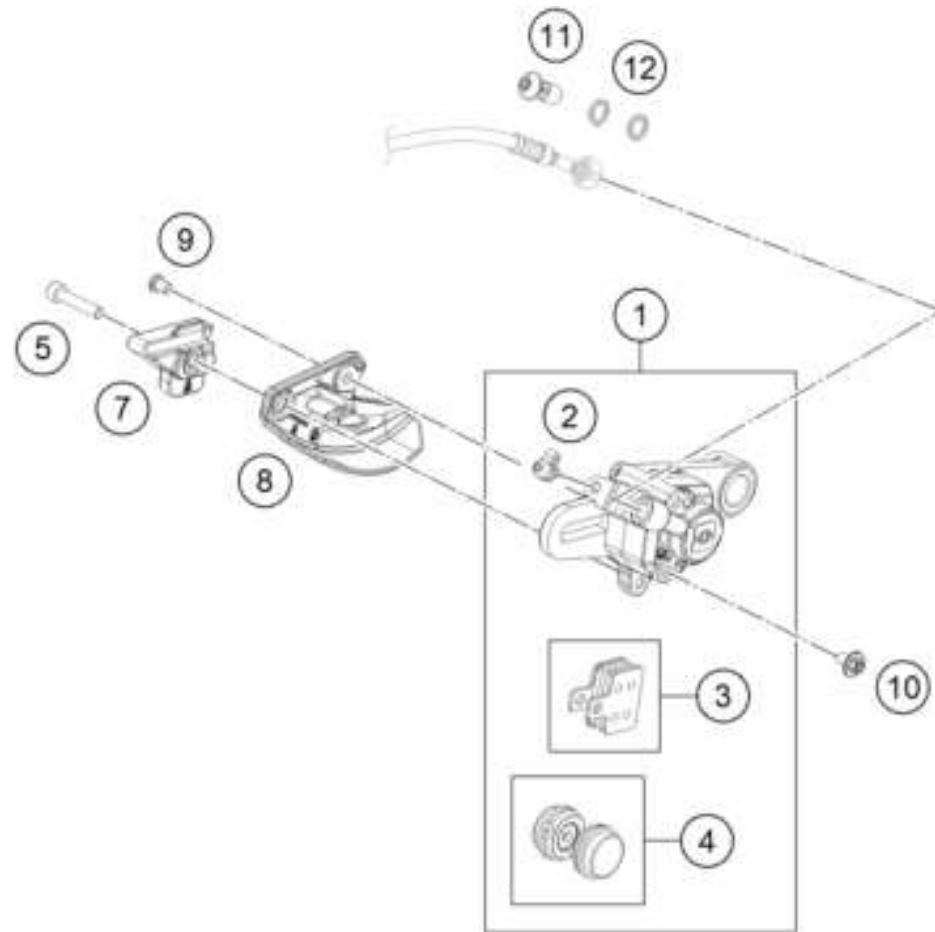
23A5351360

60262

POS	PARTNUMBER		PIECE
1	A53513015000	Front Caliper	1
2	A53513017000	Pads Kit	1
3	A53513019000	Piston Kit	1
4	BT62020GG-CSV-1	Bolt brake caliper	1
5	BT62011GG-CSV-1	Holding tab brake pads	1
6	0603082121	SEAL RING CU DIN7603- 8X12X1	2
7	A53513025000	BANJO BOLT M8	1
8	A53509061000	Brake disc guard	1
9	0025080306	HH collar screw M8x30	2
10	A53513094000	Hollow screw	1

* NEW PART

X ON DEMAND



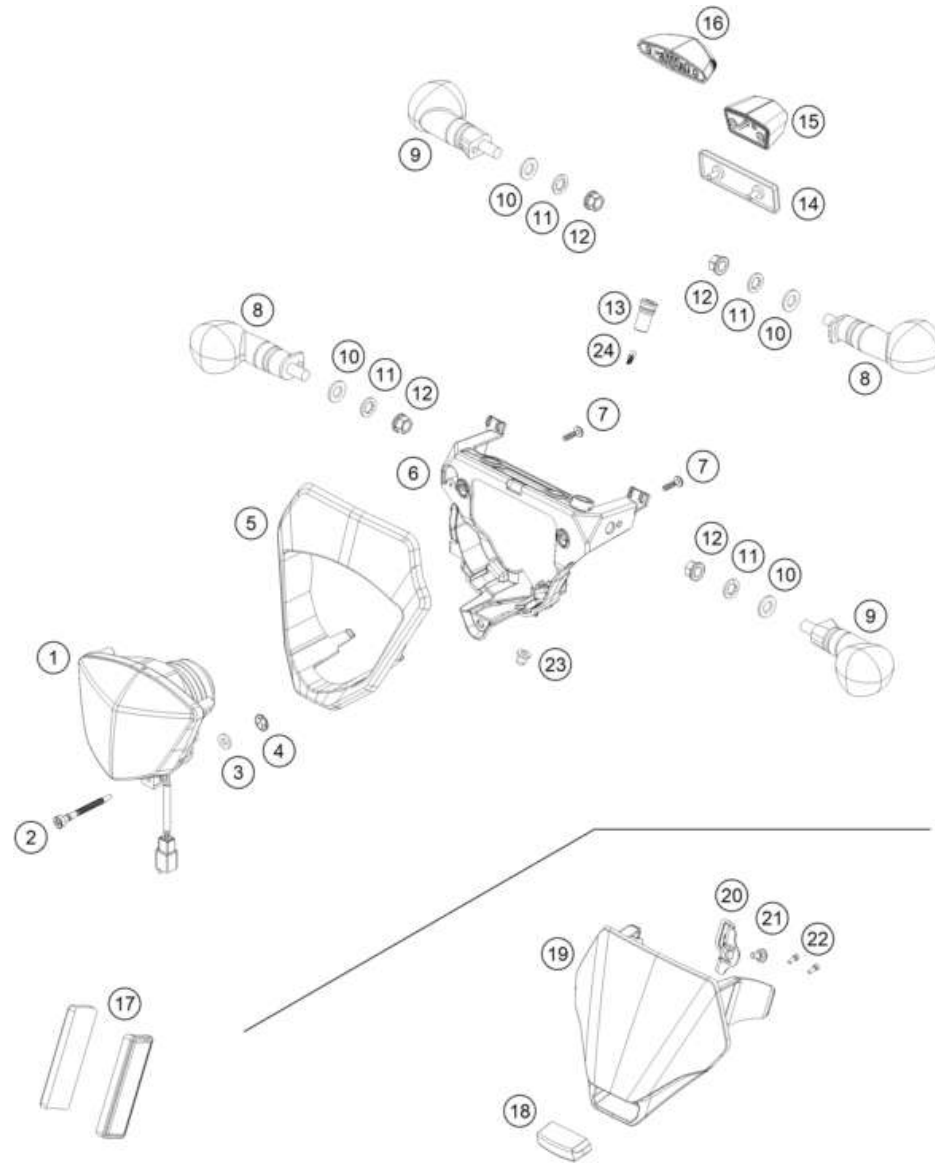
POS	PARTNUMBER		PIECE
1	A53513080000	Rear caliper	1
2	A53513095000	Bleeder screw	1
3	A53513090000	Pads Kit	1
4	A53513083000	Piston Kit	1
5	T0306030	Screw 6x30	1
7	BT14215GG-CSV-1	Stand mountin rubber	1
8	BT57050GG-CPR-1	Brake disk protector back	1
9	T0506008	Buttom head screw 6x8	1
10	0024060106	HH COLLAR SCREW M6X10 TX30	1
11	62113020100	Banjo bolt M10x1x19.5	1
12	0603100141	sealing ring DIN 7603 10x14x1	2

23A5351390

60265

* NEW PART

X ON DEMAND



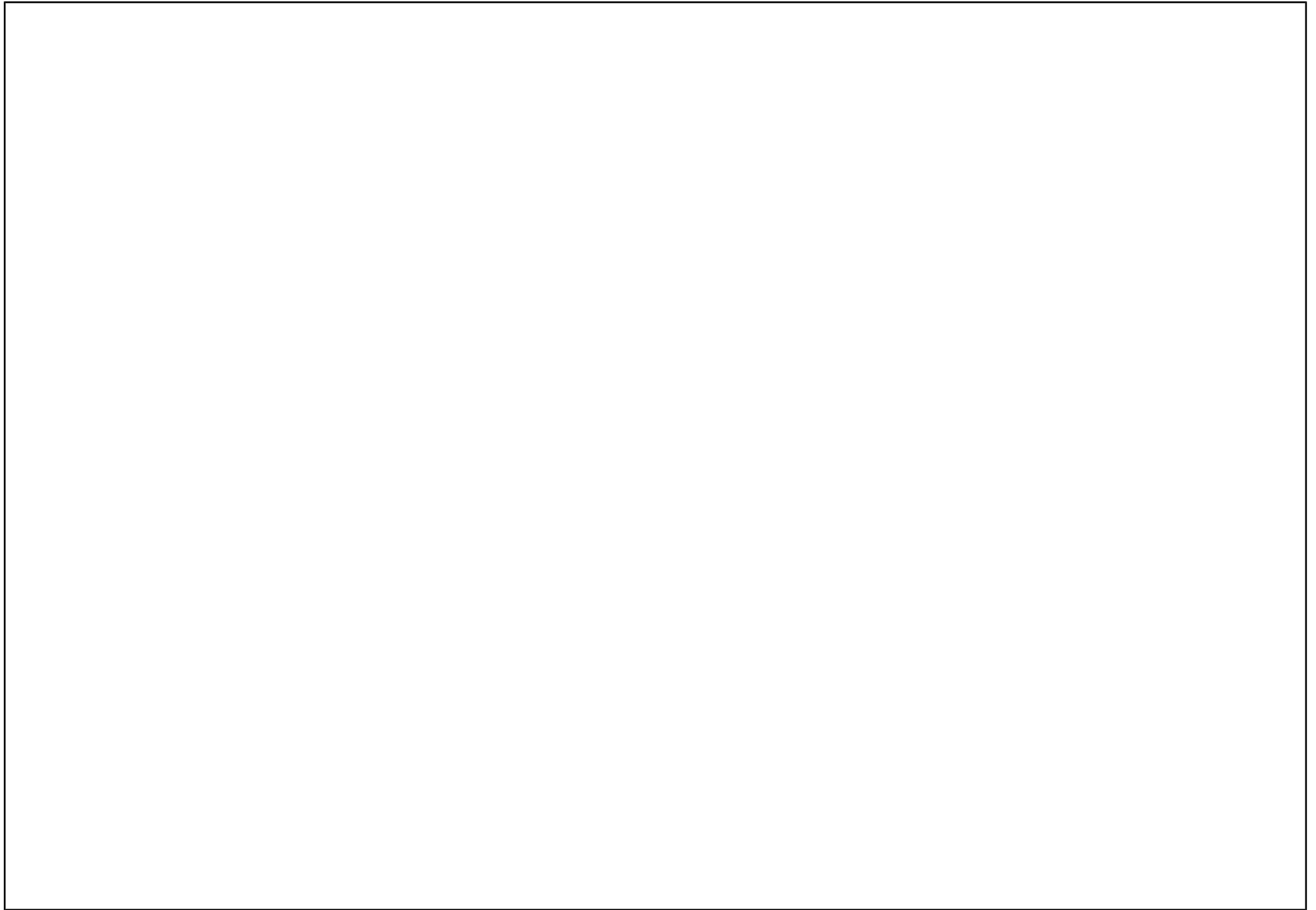
POS	PARTNUMBER		PIECE
1	81214001100	Headlight	1
2	60414007125	ADJUSTING SCREW CURVE LIGHT	1
3	60408061050	RUBBER 14X6.5X2.3MM	1
4	60408061160	QUICKLOCK D=6	1
5	A53508001100C1	Headlight mask	1
6	A53508005000	Headlight mask, bottom part	1
7	0081050181	SCREW FOR PLASTIC K50X18 T20	2
8	54814026200	FLASHER CPL. FR.R/S RE.L/S 09	2
9	54814025200	FLASHER CPL. FR.L/S RE.R/S 09	2
10	0125100003	washer DIN 125 A 10.5	4
11	0797100003	LOCK WASHER DIN6797-J10,5 ZI	4
12	58414030000	HH COLLAR NUT M10X1,25 WS=13	4
13	58011024300	FLASHER INDICAT.LIGHT GREEN'98	1
14	58412080400	Rear reflector red	1
15	60314047000	license plate lighting	1
16	A54014040000	Tail light	1
17	58412080300	REFLECTOR YELLOW "CEV"	2
18	A53514001000	Headlight	1
19	A53508001000FBB	Headlight mask with decal	1
20	A53508002010FB	Headlight mask clamp	1
21	69008021160	special screw M5x12	1
22	0458030080	CYLIND.SCREW M3X8 ISO 14580 SS	2
23	BT90000073011	BUSH RUBBER	1
24	49111425200	BULB 12V 2,3W (W2X4,6D)	1

23A5351410

74231

* NEW PART

X ON DEMAND





08/2024

ART.-NR.F0403YN



Stallhofnerstraße 3 / 5230 Mattighofen / Austria / www.gasgas.com



Engine TXT GP 300

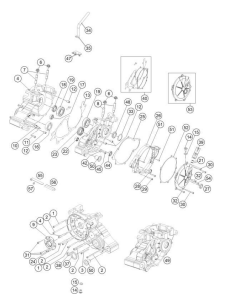
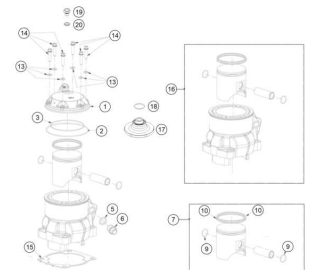
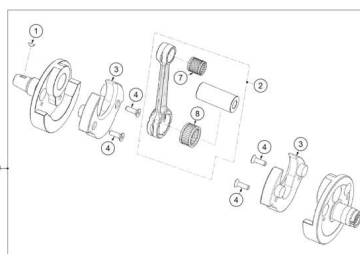
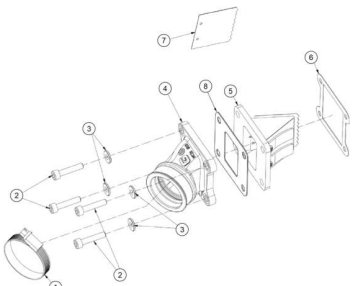
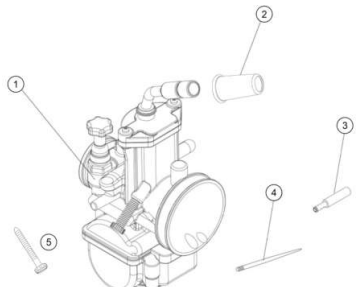
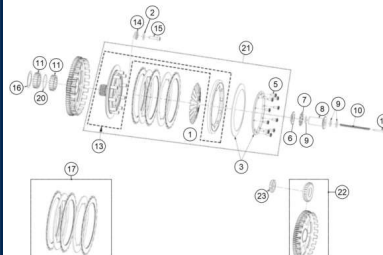
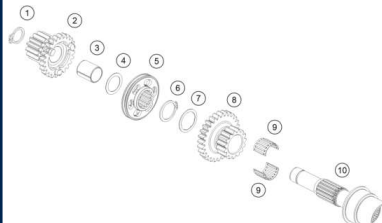
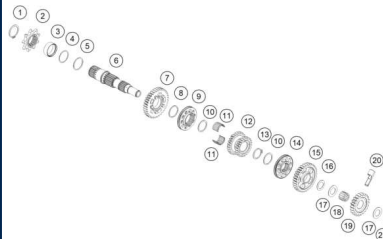
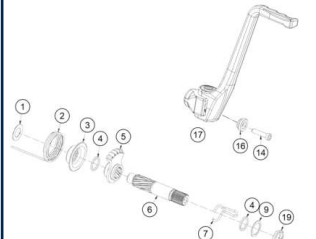
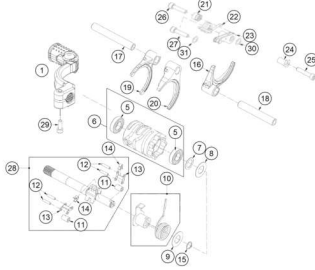
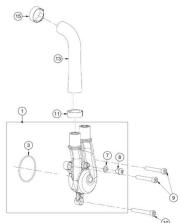
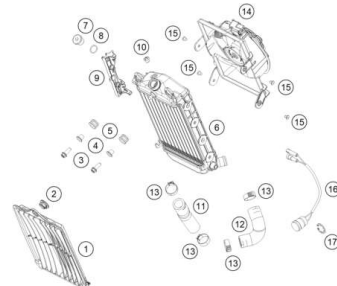
ENGINE / ART.-NR.084627Y / 2025
SPAREPARTSCATALOG

GASGAS

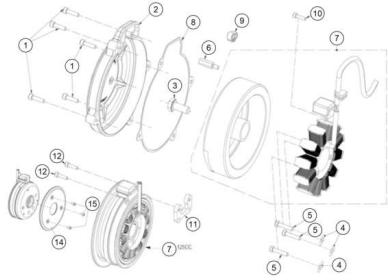


All information contained is without obligation. KTM Sportmotorcycle GmbH particularly reserves the right to modify any equipment, technical specifications, prices, colors, shapes, materials, services, service work, constructions, equipment and the like so as to adapt them to local conditions or to cancel any of the above items, all without previous announcement and without giving reasons. KTM may stop manufacturing certain models without previous notice. KTM shall not be held liable for any deviations of availability and/or ability to deliver, illustrations, descriptions, printing and/or other errors. The illustrated models partly contain extra equipment, which is not applied to standard models.

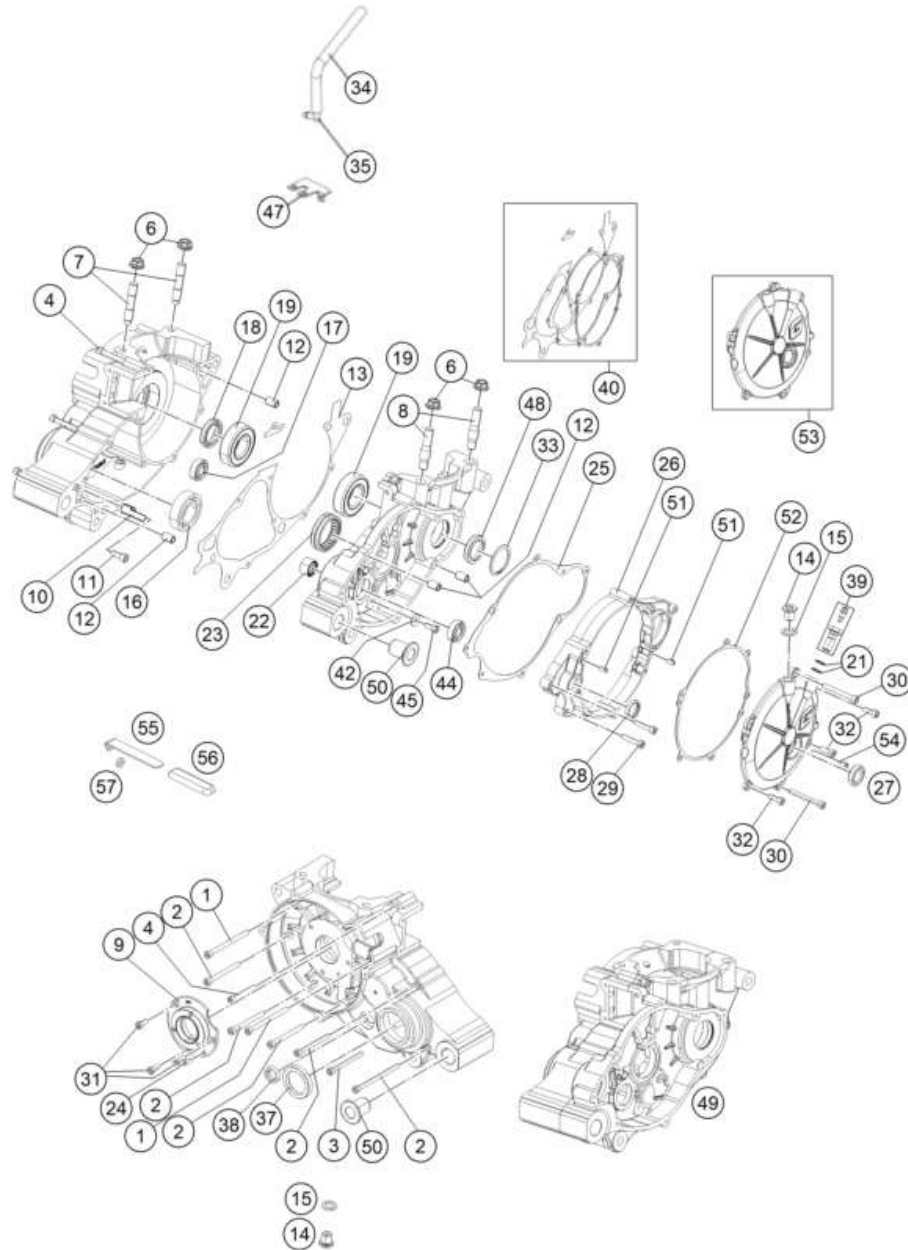
© by KTM Sportmotorcycle GmbH, Mattighofen AUSTRIA; All rights reserved; Reprint, also in extracts, with written allowance of KTM Sportmotorcycle GmbH, Mattighofen only.

<p>ENGINE CASE</p>  <p style="text-align: right;">3</p>	<p>CYLINDER</p>  <p style="text-align: right;">5</p>	<p>CRANKSHAFT, PISTON</p>  <p style="text-align: right;">7</p>	<p>REED VALVE CASE</p>  <p style="text-align: right;">8</p>
<p>CARBURETOR</p>  <p style="text-align: right;">9</p>	<p>CLUTCH</p>  <p style="text-align: right;">10</p>	<p>TRANSMISSION I - MAIN SHAFT</p>  <p style="text-align: right;">11</p>	<p>TRANSMISSION II - COUNTERSHAFT</p>  <p style="text-align: right;">12</p>
<p>KICK STARTER</p>  <p style="text-align: right;">13</p>	<p>SHIFTING MECHANISM</p>  <p style="text-align: right;">14</p>	<p>WATER PUMP</p>  <p style="text-align: right;">15</p>	<p>COOLING SYSTEM</p>  <p style="text-align: right;">16</p>

IGNITION SYSTEM



17



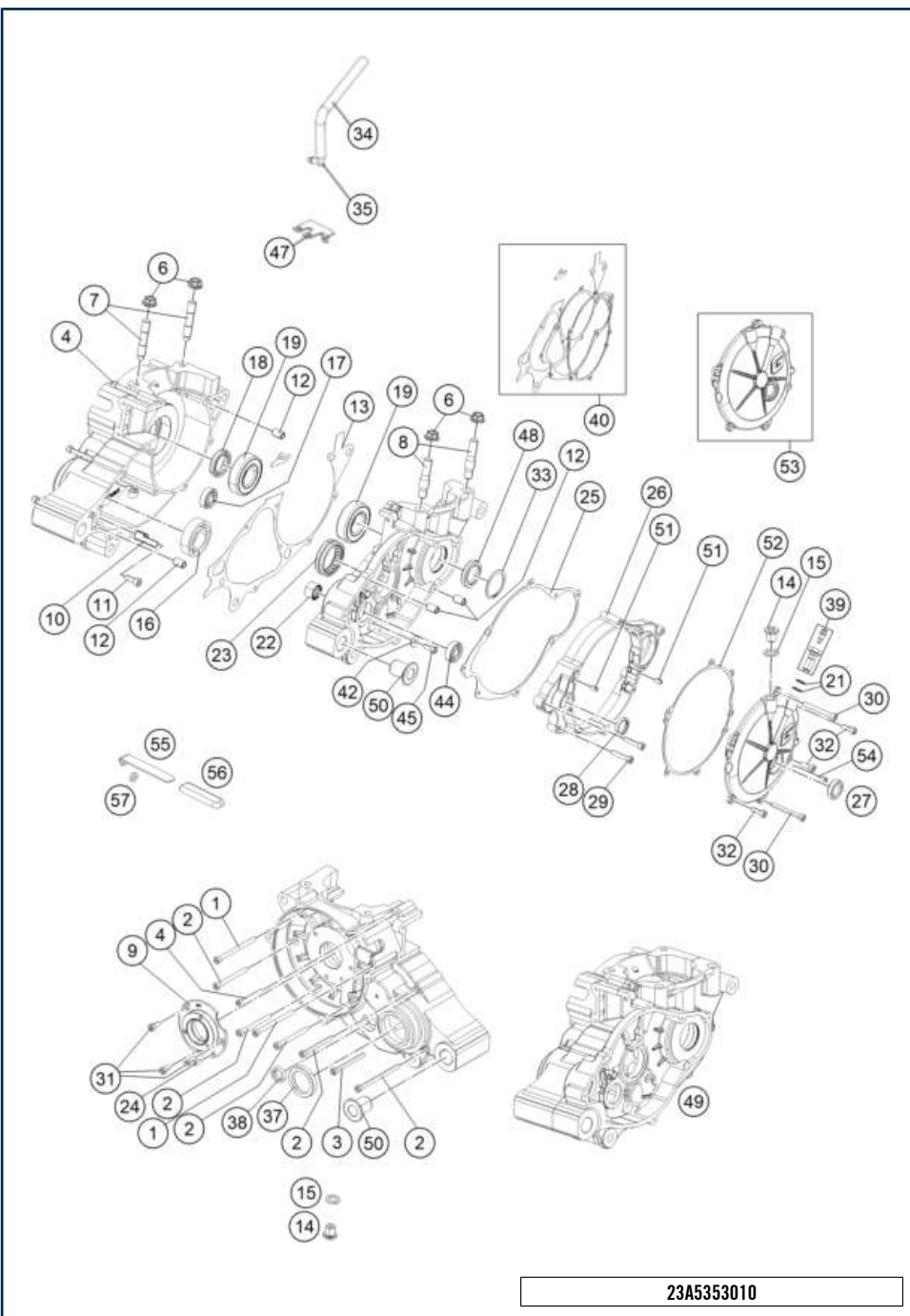
POS	PARTNUMBER		PIECE
1	T0305065	Screw 5x65	2
2	T0305055	bolt socket head 5x55 DIN 912	5
3	T0305075	Bolt socket head 5x75 DIN 912	1
4	T0305040	Screw M5x40	1
6	M01613001	Nut 10x1,5 8.8	4
7	MT280216023	Stud	2
8	MT280216056	Stud	2
9	MT11035GG-CSZ-1	Ignition coil support txt 125 2019 125cc	1
9	MT11035GG-CSV-1	Ignition coil support txt 2019 250-280-3 250cc/280cc/300cc	1
10	MT280226011	Stop sheet kickstarter	1
11	T0305016	Screw 5x16	1
12	M01017000	Dowel	4
13	MT94000GG-DBD-1	Gasket crankcase	1
13	MT280344001	Engine case gasket only for US	1
14	ME25610017	Oil plug	2
15	MT280410030	Washer 12x18x2	2
16	MT280236159	Bearing 25x47x12	1
17	MT280236160	Bearing 15x32x9 2RSL	2
18	0760002535000	Rotary shaft seal 25x35x7	1
19	MT31010GG-CHA-1	Crankshaft bearing SKF 6205-2RSHTNP/C4GJ	2
21	T4011014	Washer 10x14x1,5	2
22	MT280226067	Bearing kickstarter shaft	1
23	MT280236158	Bearing 34x45x12	1
24	MT22035GG-CSV-1	Centering bolt clutch cover	1
25	MT280244002	Gasket clutch cover	1
26	A53530001000	Inner clutch cover cmpl.	1
27	MFS400110015	Inspection glass	1
28	MT280226016	Shaft seal ring kickstarter	1
29	T0305025	Screw 5x25	1
30	T0305045	Screw 5x45	2
31	T0305010	Screw 5x10	3
32	T0305016	Screw 5x16	3
33	MT31025GG-CSV-1	Circlip	1
34	MT280210012	Breather tube	1
35	MIT50010012	Connector Expansion	1
37	ME25636024	Shaft seal ring 30x40x7	1

23A5353010

72786

* NEW PART

X ON DEMAND



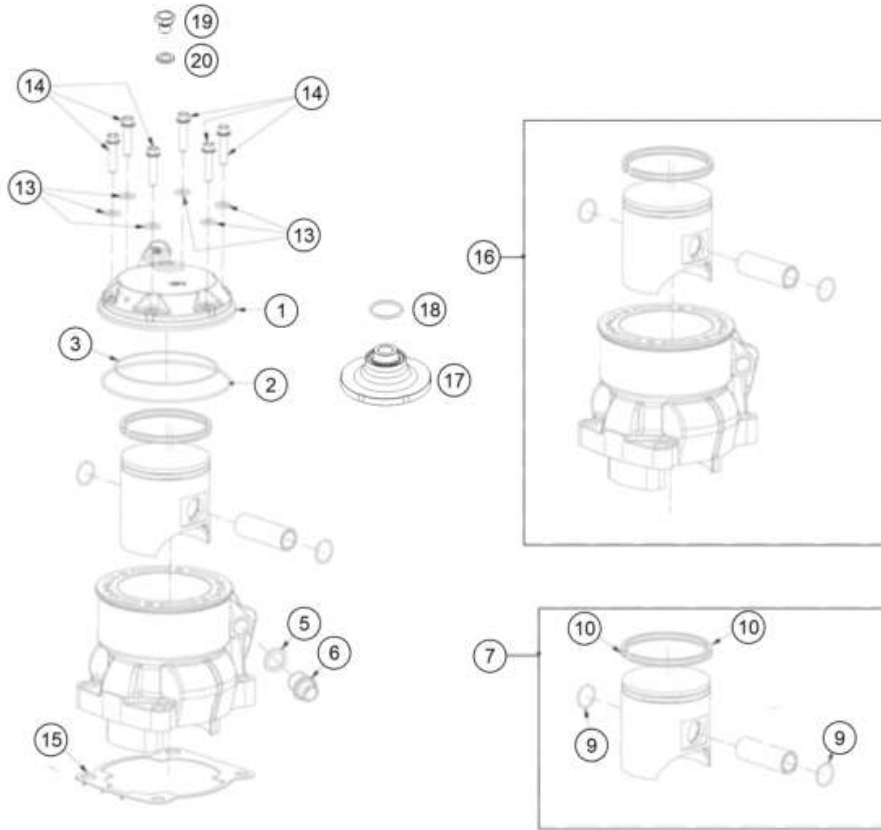
POS	PARTNUMBER		PIECE
38	MT280236048	Shaft seal ring 12x20x5	1
39	BT280522106	Banjo bolt	1
40	MT94610CT-CYY-1	ENGINE GASKET SET TXT 2020	1
42	T4005015	Washer 5x15x1,5	1
44	ME25610010	Bearing 6000 C3Z	1
45	T0305020	Screw 5x20	1
47	ET75050GG-CBN-1	Tap connector ignition	1
48	MT31020GG-CHA-1	Shaft seal ring 25x35x6	1
49	MT10000CT-DBD-1	CRAKCASE KIT TXT RACING 2019 (300-280-25 250cc/280cc/300cc	1
49	MT10000CT-DBG-1	CRAKCASE KIT TXT RACING 125 2020 125cc	1
50	BT44510GG-CPR-1	Bushing	2
51	MT22035GG-CSV-1	Centering bolt clutch cover	2
52	MT22015GG-CSV-1	Clutch cover gasket	1
53	A53530026033	Outer clutch cover, compl.	1
54	T0305050	Cylinder head screw 5x50 DIN 912 Geomet	1
55	MT10515GG-CPF-1	Holder	1
56	BE250411000	CHASSIS CLIP SLEEVE 1X70	1
57	T4000509	Washer	1

23A5353010

72786

* NEW PART

X ON DEMAND



POS	PARTNUMBER		PIECE
1	A53530106044	Cylinder head 125 cpl. 125cc	1
1	A53530206044	Cylinder head GP compl. 250cc 280cc 300cc	1
2	ME120116060	O-ring cylinder head 125 pro 125cc	1
2	M01619135	O-ring 101,32x1,78 250cc/280cc/300cc	1
3	ME120116065	O-ring cylinder head 125 pro 125cc	1
3	MT75510GG-CSV-1	O-ring cylinder head 81,2x1x75 VITON 250cc/280cc/300cc	1
5	ME25610014	Washer 14x20x2	1
6	MT280210013	Water connection pro	1
7	MT120216020	Piston cpl. 125 txt pro A 125cc	1
7	MT120216121	Piston cpl. 125 txt pro B 125cc	1
7	MT120216122	Piston cpl. 125 txt pro C 125cc	1
7	MT250516020	Piston cpl. 250 pro A 250cc	1
7	MT250516121	Piston cpl. 250 pro B 250cc	1
7	MT250216122	Piston cpl. 250 pro C 250cc	1
7	MT71000CT2808	Piston cpl. 280 txt pro A 280cc	1
7	MT71001CT2808	Piston cpl. 280 txt pro B 280cc	1
7	MT280216122	Piston cpl. 280 pro C 280cc	1
7	MT710003010	Piston A cpl. TXT 300 PRO Vertex 300cc	1
7	MT710013010	Piston B cpl. TXT 300 PRO Vertex 300cc	1
7	MT300316122	Piston C cpl. TXT 300 300cc	1
9	M01417052	Circlip 125/160/200 125cc	2

23A5353040

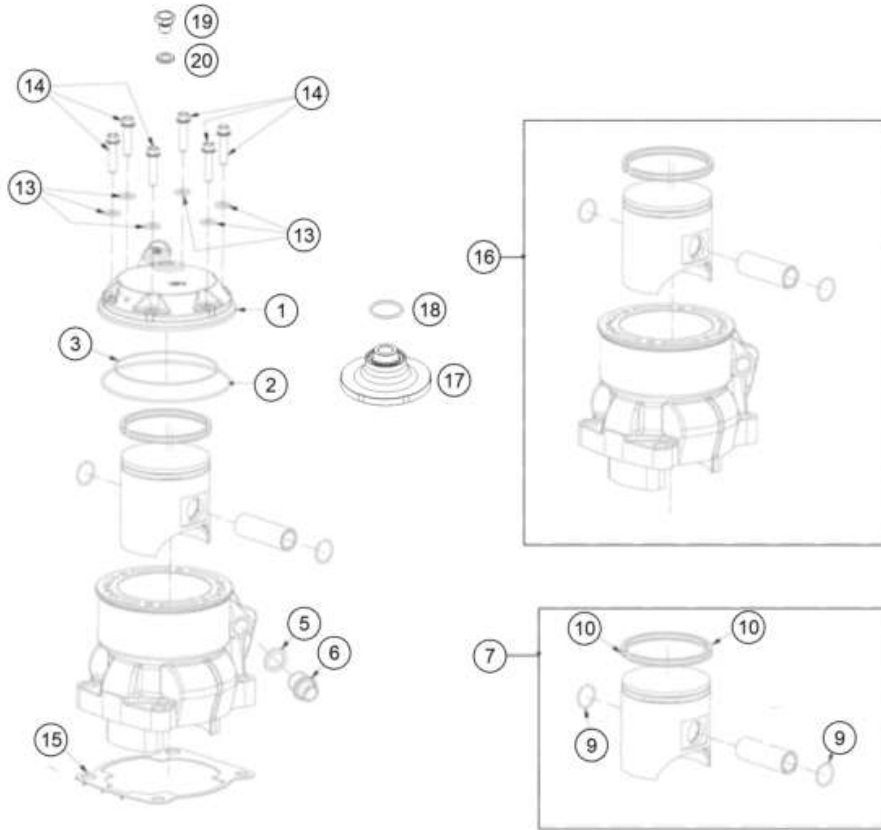
72803

* NEW PART

X ON DEMAND

CYLINDER

Engine TXT GP 300 2025



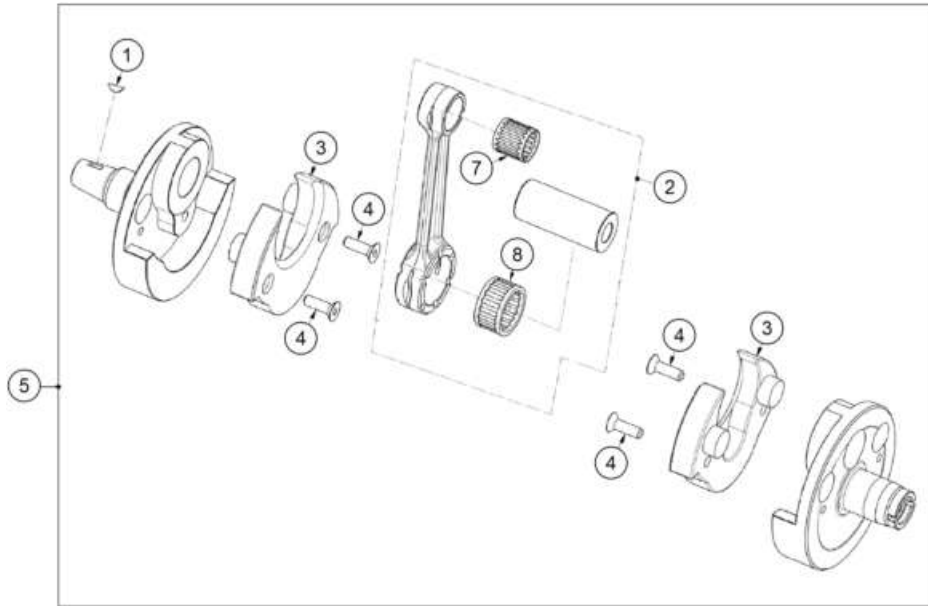
POS	PARTNUMBER		PIECE
9	MT280216126	Circlip piston 250cc/280cc/300cc	2
10	MT120216040	Pistonring set 125 pro 125cc	1
10	MT250516040	Pistonring set 250 pro 250cc	1
10	MT710012808	Pistonring set 280 txt pro 76,00x1 280cc	1
10	MT710203010	Pistonring set 08 300 300cc	1
13	T4006713	Washer	6
14	T0206025	Special screw 6x25	6
15	MT70050GG-CHA-1	Cylinder base gasket 0,8 mm txt 125 2015 125cc	1
15	MT942002810	Cylinder base gasket 0,5mm pro 250cc/280cc	1
15	A53530035080	Cylinder base gasket 0.5 mm Pro 300cc	1
16	MT70000CT-CGC-1	Cylinder + piston cpl. 125 txt 2015 125cc	1
16	MT70000CT-CGF-1	Cylinder + piston cpl. 250 txt 2015 250cc	1
16	MT70000CT-CGH-1	Cylinder + piston cpl. 280 txt 2015 280cc	1
16	MT70000CT-CGJ-1	Cylinder + piston cpl. 300 txt 2015 300cc	1
17	MT75500GG-CLZ-1	NOCK TRIAL 125 125cc	1
17	MT75500GG-CKT-1	CULATIN TRIAL 250 250cc	1
17	MT75500GG-CKS-1	CULATIN TRIAL 280 280cc	1
17	MT75500GG-CKR-1	CULATIN TRIAL 300 300cc	1
18	MT75510GG-CKR-1	O-Ring Zylinderkopf	1
19	0900000800900	Cylinder head bleeder	1
20	T4008012	Washer 8x12x1	1

23A5353040

72803

* NEW PART

X ON DEMAND



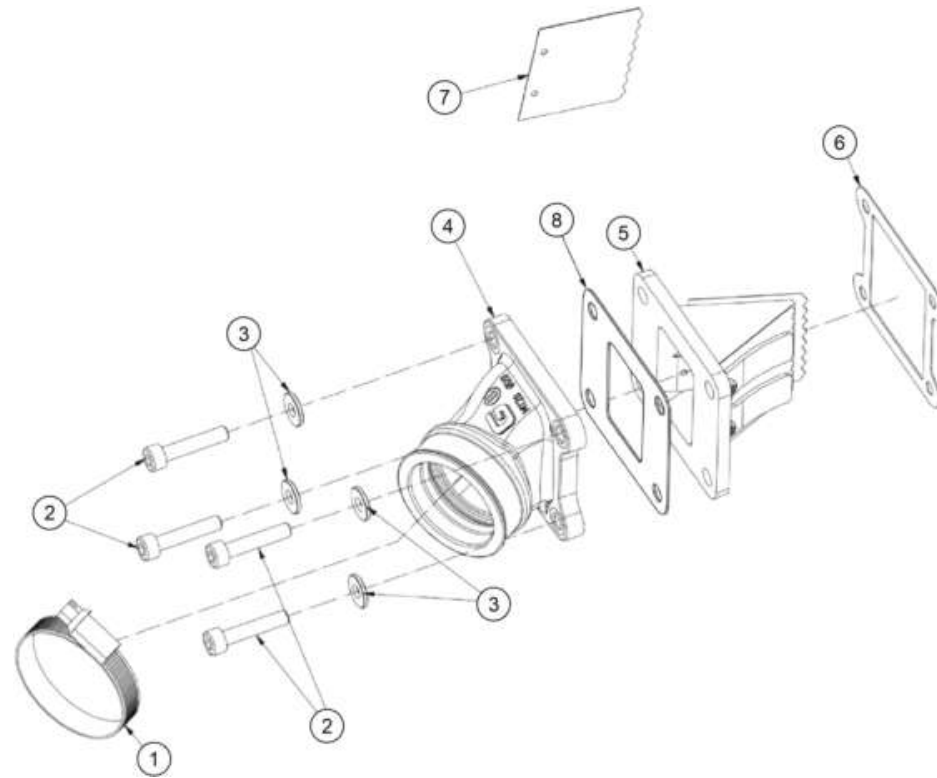
POS	PARTNUMBER		PIECE
1	MT280234016	Woodruff key pro	1
2	MT32000CT-CHA-1	Con.rod rep. kit txt 80-125 125cc	1
2	MT280212100	Con.rod rep. kit 250cc/280cc/300cc	1
3	MT37000GG-CHA-1	Counterweight 125cc	2
3	MT280212021	Counterweight 250cc/280cc/300cc	2
4	T0406016	Screw 6x16	4
5	MT30000CT-CHA-1	Crankshaft cpl. 80-125 125cc	1
5	MT30000CT-CSV-1	Crankshaft cpl. Txt 250-280-300 2019 250cc/280cc/300cc	1
7	M01411001	Piston Pin Bearing 160/200 125cc	1
7	ME25616035	Needle bearing 250cc/280cc/300cc	1
8	M01415001	Crank Pin Bearing 125cc	1
8	MT32050GG-AIZ-1	Needle bearing 30x38x15,8 250cc/280cc/300cc	1

20A5353060

54192

* NEW PART

X ON DEMAND



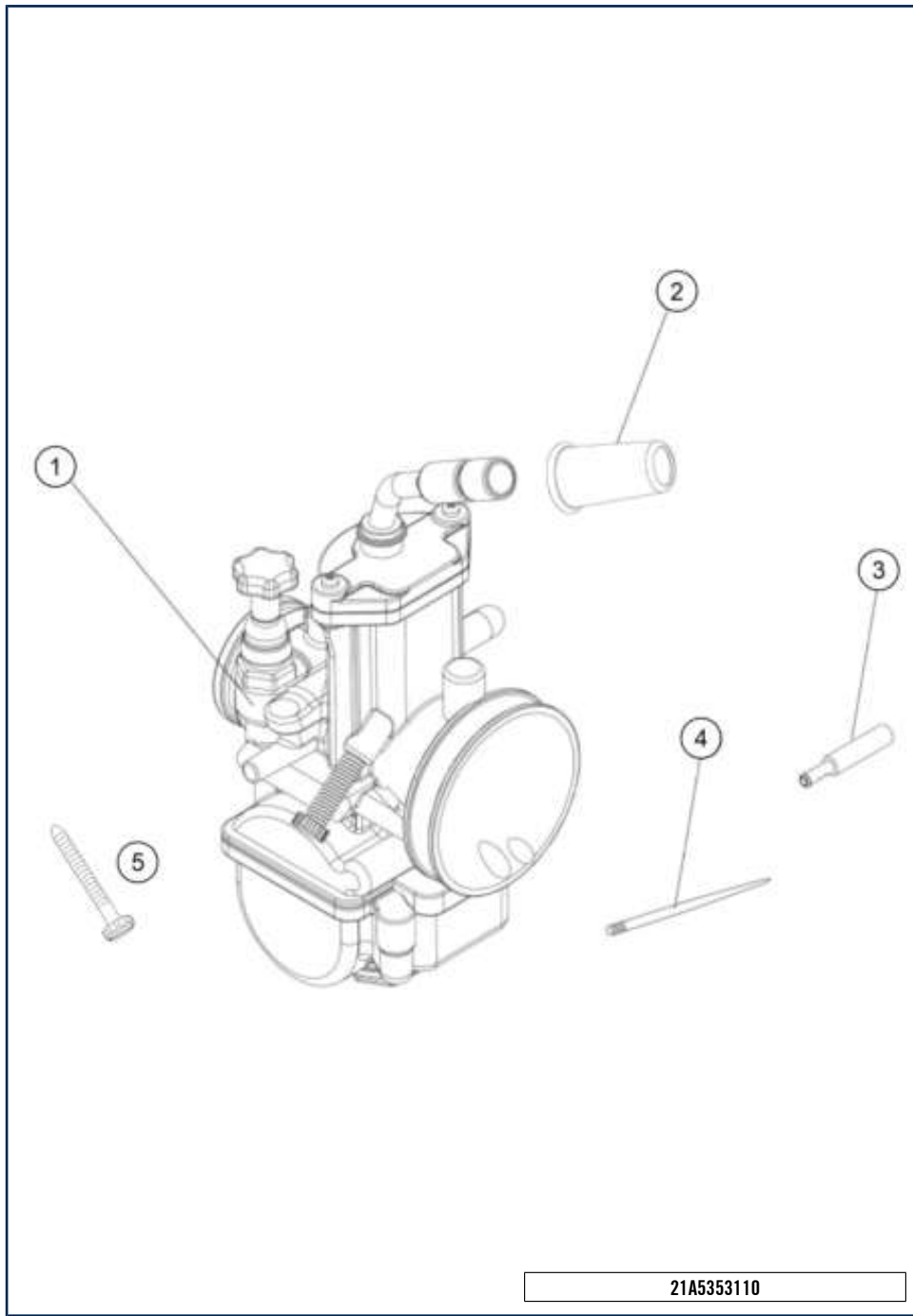
POS	PARTNUMBER		PIECE
1	BT280328038	Clamp	1
2	T0305022	BOLT DIN912, M5x22 12.9	4
3	T4005012	Washer 5x12x1,5	4
4	MT26000CT-CGI-1	Intake flange	1
5	M01617200	Reed valve case	1
6	MT280244005	Gasket	1
7	M01616000	Membrane	2
8	MT300644105	Gasket reed valve cage	1

20A5353070

54205

* NEW PART

X ON DEMAND



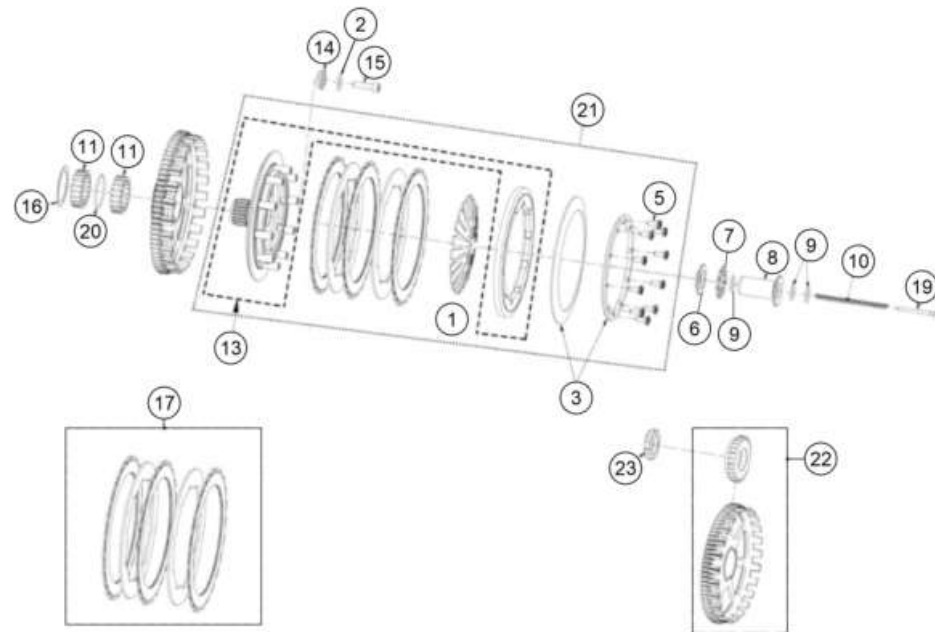
POS	PARTNUMBER		PIECE
1	MT280390000RA	Carburetor Keihin cpl.	1
1	BT78000GG-CKR-1	Carburetor Dell'orto	1
2	A53502016000	Throttle cable wire protection cap	1
3	ME200390052	Jet 125cc	1
3	ME120390048	Jet	1
4	72531034200	JET NEEDLE KEIHIN JJH Keihin	1
4	45131034007	JET NEEDLE W7 Dellorto	1
5	54631219100	ADJUSTMENT SCREW M 5	1

21A5353110

72795

* NEW PART

X ON DEMAND



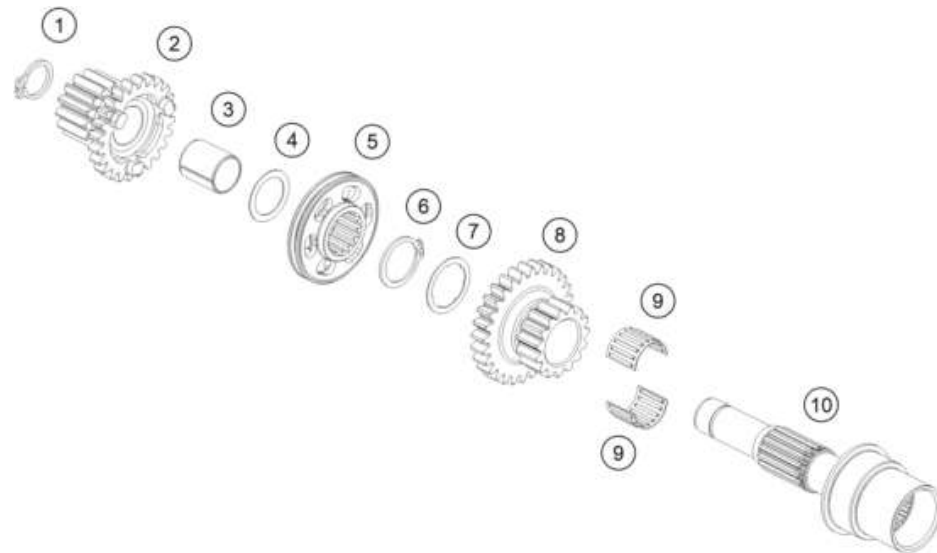
POS	PARTNUMBER		PIECE
1	MT280632070	Pressure plate	10
2	T4005009	wedge lock washer	1
3	MT22000CT-CSV-1	KIT MUELLE Y PRECARGA EMBRAGUE TXT 2019	1
5	014580040123S	Cap head screw ISO 14580-M4x12-8.8 MK	10
6	MT280332014	Lock washer	1
7	MT280232043	Bearing, thrust needle 17x30x2	1
8	MT280332040	Pressure plate	1
9	MT280432047	O-Ring	3
10	MT23110GG-CSV-1	Spring	1
11	MT280432039	Needle bearing	2
13	MT280632005CTC	Inner clutch hub 250cc/280cc/300cc	1
14	MT280232080	CENTER CLUTCH MOUNT BUSHING TXT	1
15	MT24000GG-CSV-1	Screw allen 5x20 oil cluth	1
16	T4003038/2	Washer	1
17	MT22130CT-CSV-1	Clutch disc pack	1
19	MT280432065	Spring guide	1
20	MT280432139	Circlip	1
21	MT20000CT-CSV-1	CTO. EMBRAGUE TRIAL RACING 201	1
22	MT21000CT-CHA-1	Clutch basket cpl. Txt 80 2015	1
23	MT42095GG-CHA-1	Nut primary gear	1

21A5353210

60518

* NEW PART

X ON DEMAND



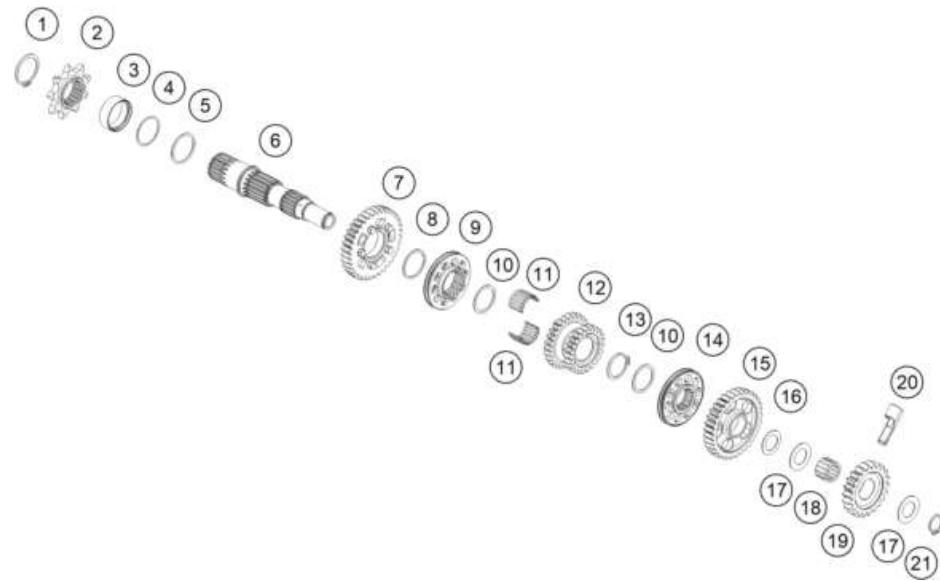
POS	PARTNUMBER		PIECE
1	MT280236163	CIRCLIP E15	1
2	MT280236071	Sliding gear 2./5.	1
3	MT280236164	Bushing 15x17x20	1
4	T4001723	Washer 17x23x0,5	1
5	MT43030GG-DDT-1	Synchronizer wheel main shaft	1
6	MT280236165	Circlip	1
7	T4002025	Washer 20x25x0,5	1
8	MT42110GG-CSV-1	Sliding gear	1
9	MT280236162	Transmission bearing 17x20x17	2
10	MT41000GG-DDT-1	Main shaft	1

25A5353330

72780

* NEW PART

X ON DEMAND



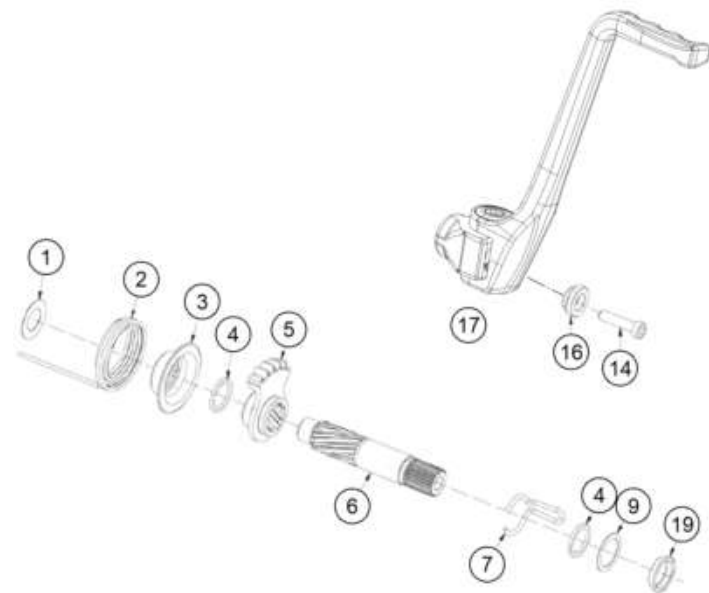
POS	PARTNUMBER		PIECE
1	ME25936084	Circlip	1
2	MT120236525	Sprocket 9T	1
2	MT200236525	Sprocket 10T	1
2	MT280236525	Sprocket 11T	1
2	MT280236526	12T C/SHAFT SPROCKET PRO	1
3	MT280236046	Bushing countershaft	1
4	MT280212025	O-ring countershaft 25x1,5	1
5	ME25632025	O-ring 25x2	1
6	MT41010GG-DDT-1	Countershaft	1
7	MT280236077	Idler gear 3.G	1
8	MT280236167	SW 25 Circlip	1
9	MT280236080	Synchronizer wheel 2.G	1
10	T4002227	Washer 22x27x0,5	2
11	MT280236161	Transmission bearing 19x22x17	2
12	MT280236078	Sliding gear 5./6.	1
13	MT280236166	Circlip	1
14	MT43020GG-DDT-1	Synchronizer wheel 3.G	1
15	MT42215GG-CSV-1	Idler gear 1.G	1
16	T4001523	Trans Washer Pro 15.2x23x0.5	1
17	M02622001	Washer 15x26x0,5	2
18	MT280226015	Needle bearing K15/19/13	1
19	MT280226001	Kickstart Idler Gear Pro	1
20	MT280226011	Stop sheet kickstarter	1
21	M02623000	Circlip	1

25A5353360

72784

* NEW PART

X ON DEMAND



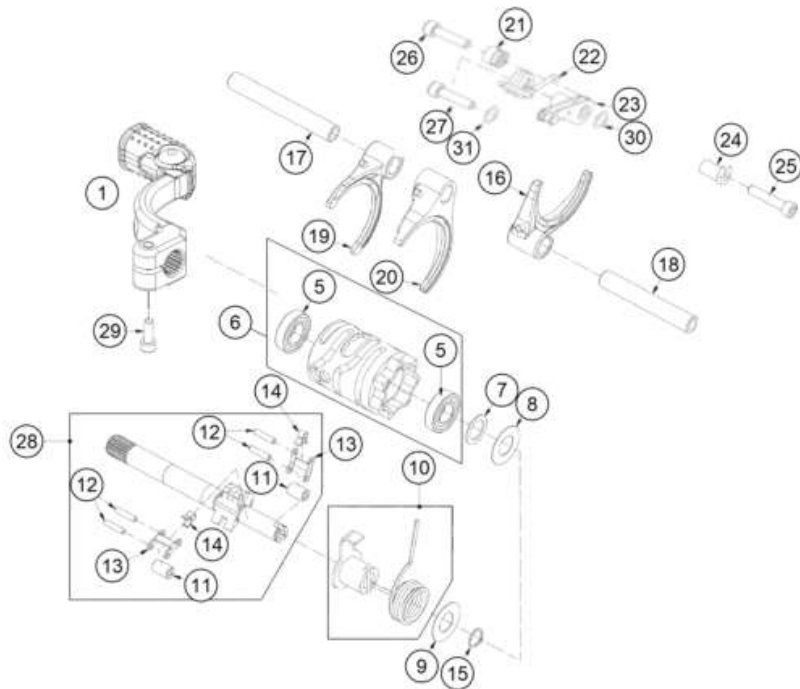
POS	PARTNUMBER		PIECE
1	T4001425	Washer 14x25x0,5	1
2	MT280226007	Spring kick starter	1
3	MT280226053	Spring bushing kick starter	1
4	MT280226017	Circlip kickstart shaft	2
5	MT280226002	Kickstart shaft gear	1
6	MT890102811	Kickstart shaft	1
7	MT280226006	Friction spring kick starter	1
9	T4001824	Washer	1
14	T0316025	Screw 6x25	1
16	MT280426068	Bushing	1
17	A53533070044	Kick-starter system compl.	1
19	MT86500GG-CBN-1	Positioning bushing kick starter pedal	1

23A5353390

60522

* NEW PART

X ON DEMAND



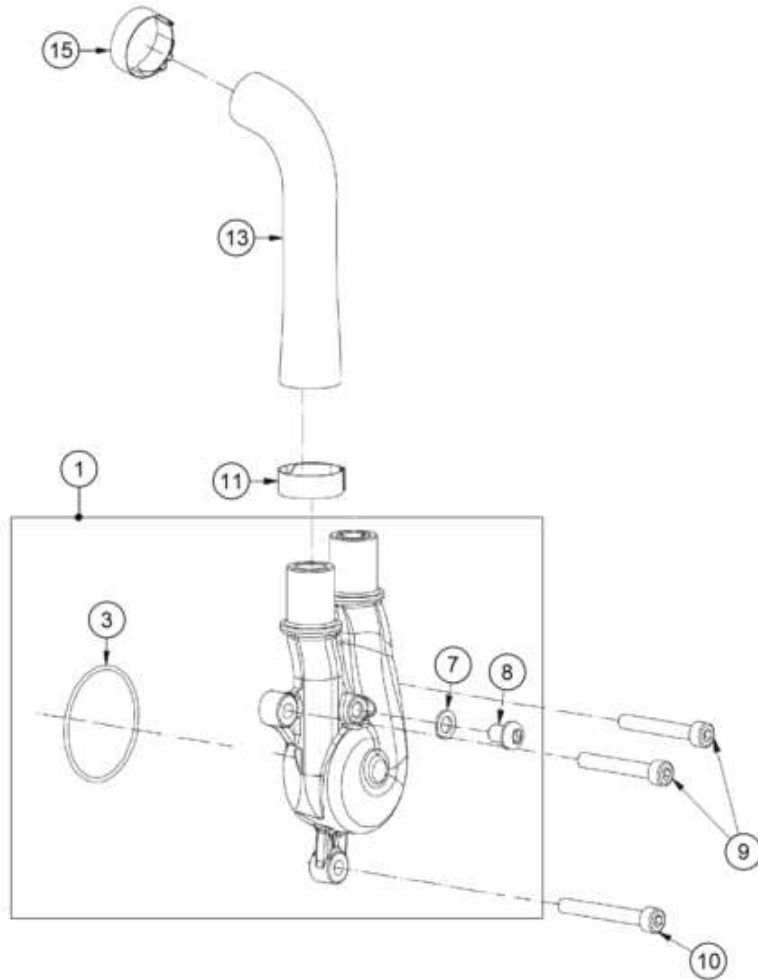
POS	PARTNUMBER		PIECE
1	A53534031233	Gear shift lever cpl.	1
5	MT280238032	Bearing gear shift drum	2
6	MT280238031	Shift roller	1
7	T4001218	Washer	1
8	T4001224	Washer 12,2x24x0,5	1
9	T4011024	Washer 10,2x24x0,5	2
10	MT280238037CT	Spring kit shift shaft	1
11	MT280238040	Detent roller	2
12	MT280238048	NEEDLE 3X13.8 SHIFTER	4
13	MT280238036	Bracket	2
14	MT280238039	Spring plate shift roller	2
15	M03314011	Circlip 10mm waterpump	1
16	MT47000GG-CSV-1	SHIFT FORK PRIMARY	1
17	MT280238044	Shift rail shaft	1
18	MT280238045	Shift rail shaft	1
19	MT280238007	Shift fork 2./4.	1
20	MT280238008	Shift fork 1./3.	1
21	MT280238049	Mechanical stop shift drum	1
22	MT280238034	Spring gear shift lever	1
23	MT280238033	Shift arm drum position	1
24	MT280238050	Excentric adjuster	1
25	T0305025	Screw 5x25	1
26	T0305020	Screw 5x20	1
27	T0305030	Screw M5x30	1
28	MT280238043	Shifting shaft cpl.	1
29	T0305020	Screw 5x20	1
30	T4001605	Washer 16x5x1	1
31	T4001605	Washer 16x5x1	1

25A5353410

72787

* NEW PART

X ON DEMAND



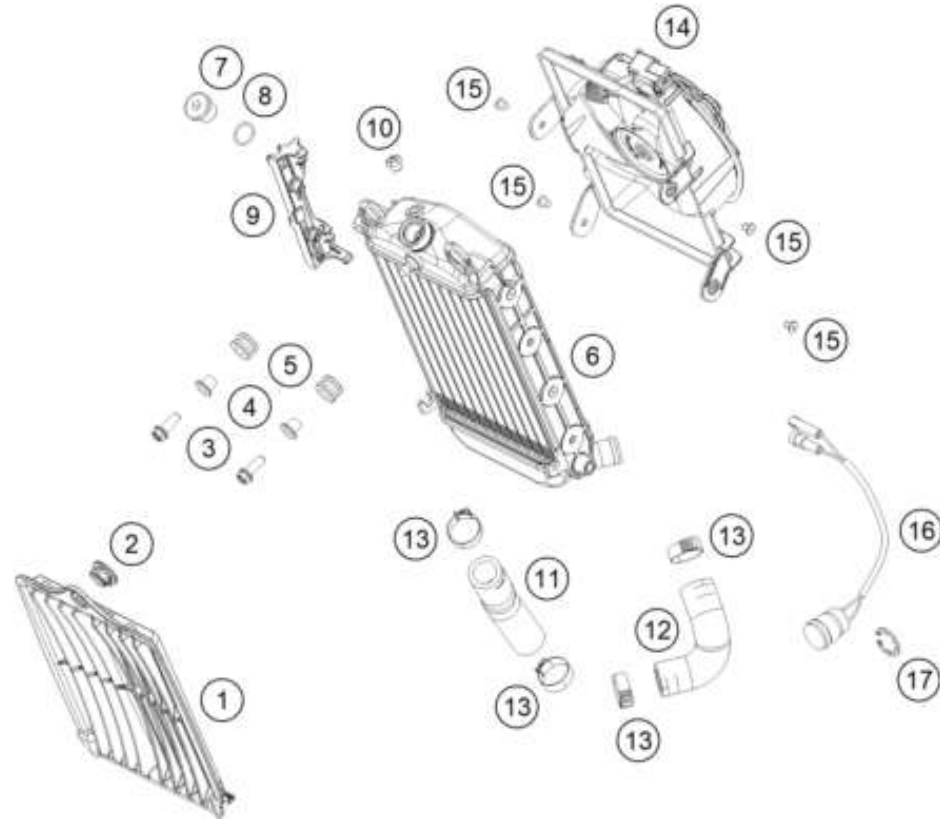
POS	PARTNUMBER		PIECE
1	MT55000CT-CSV-1	Water pump	1
3	MT57010GG-CGI-1	O-ring water pump	1
7	T4016010	Washer 6x10x1,1	1
8	T0506008I	Buttom head screw 6x8	1
9	T0305040	Screw M5x40	2
10	T0305045	Screw 5x45	1
11	L200038	Clamp 22mm INOX A2	1
13	BT280232017	Radiator hose	1
15	L200035	Clamp 20mm D20 INOX A2	1

23A5353510

60519

* NEW PART

X ON DEMAND



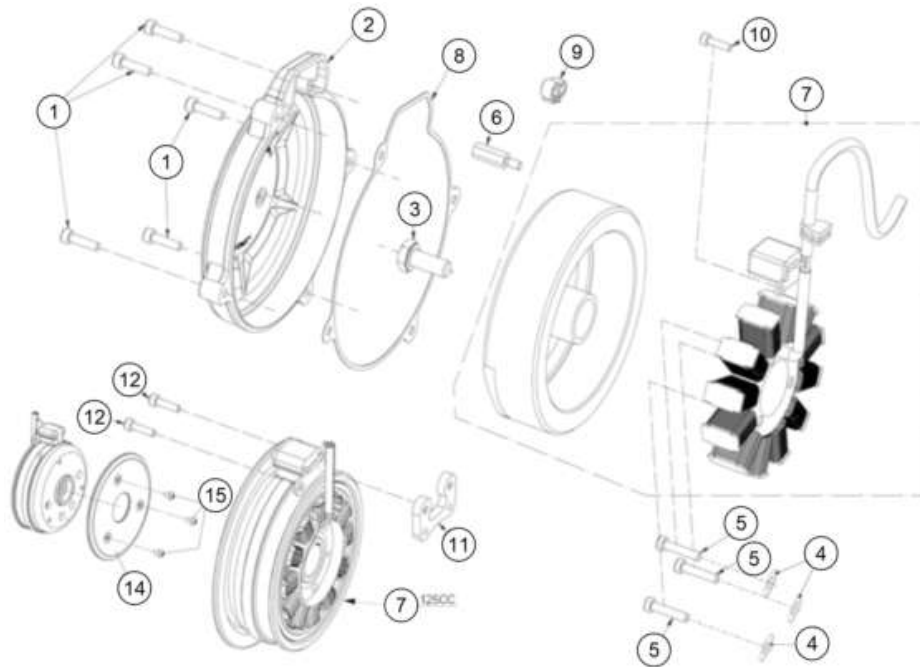
POS	PARTNUMBER		PIECE
1	A53535036000	Radiator protection	1
2	47106003160	quick release rubber grommet	1
3	0025060166	HH collar screw M6x16 TX30	2
4	45239060050	COLLAR BUSHING 6,3X8X13X9,5	2
5	28514010110	Rubber grommet 8x12x16x9.5	2
6	A53535010000	Water radiator	1
7	59130014	Lock screw M14x1,5	1
8	59155049	O-ring	1
9	A53535044010	Cable guide	1
10	A53535024000	Excess pressure valve	1
11	A53535025000	Pre-formed hose, radiator	1
12	A53535026000	Pre-formed hose, engine-radiator	1
13	L200038	Clamp 22mm INOX A2	4
14	A53535044033	Radiator fan cover cmpl.	1
15	59135061_5K7	pop rivet	4
16	A53535045000	Temperature switch	1
17	49135030	Locking ring DIN 984	1

23A5353530

60267

* NEW PART

X ON DEMAND



POS	PARTNUMBER		PIECE
1	T0305020	Screw 5x20	5
2	MT60000GG-CBN-1	Ignition cover	1
3	T02010025	Screw 10x25	1
4	T4005010	Washer 10x5x1 DIN 125 Zinc	3
5	T0305025	Screw 5x25	3
6	ET70220GG-CBN-1	Screw	1
7	ET70000CT-CSZ-1	CTO. ROTOR ENCENDIDO RACING TX 125cc	1
7	ET70000CT-CKW-1	Ignition cpl. 250cc/280cc/300cc	1
8	MT280344004	Ignition cover gasket	1
9	EE650202508	Clip speed cable holder	1
10	T0305010	Screw 5x10	1
11	MT70215GG-CGC-1	Holder 125cc	1
12	T0305010	Screw 5x10	2
14	ET70125GG-CGC-1	Flywheel Ignition	1
15	T0455008	Screw 5x8	3

21A5353910

55146

* NEW PART

X ON DEMAND

A large, empty rectangular box with a thin black border, occupying the majority of the page. It is intended for the user to write their notes.

A large, empty rectangular box with a thin black border, occupying the majority of the page. It is intended for the user to write their notes.

A large, empty rectangular box with a thin black border, occupying the majority of the page. It is intended for the user to write their notes.



11/2024

ART.-NR.084627Y



Stallhofnerstraße 3 / 5230 Mattighofen / Austria / www.gasgas.com